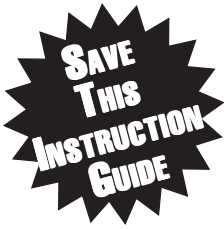

INSTRUCTION GUIDE

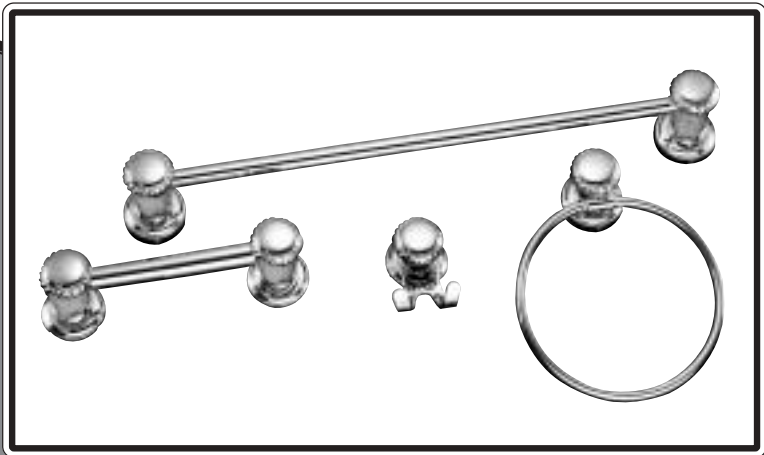
- STEP-BY-STEP ILLUSTRATED INSTALLATION INSTRUCTIONS
 - 1 YEAR LIMITED WARRANTY
 - PROPER FINISH CARE

⇒ Read these instructions carefully before installing your new faucet ⇐



Ambassador[®]

FINE FAUCETS



BATH ACCESSORIES

Classic Ring Series

For Model:

- | | |
|--------|------------|
| ■ 38-H | ■ 317-5000 |
| ■ 38-M | ■ 317-5055 |
| ■ 38-R | ■ 317-5063 |

BEFORE YOU BEGIN

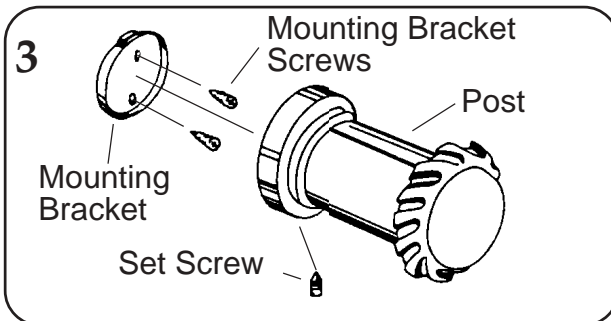
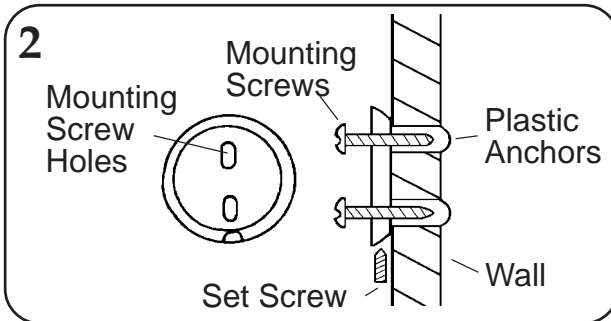
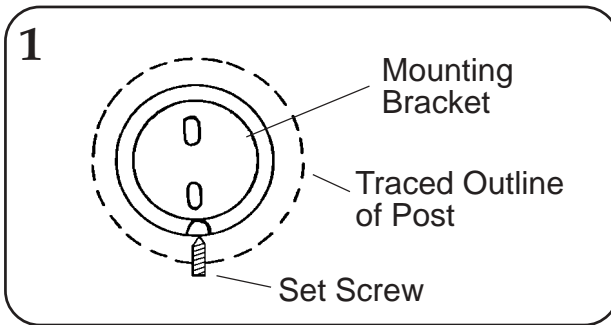
Your new Ambassador accessories will give you years of trouble-free use. Thank you for choosing our product for your home. Please read these instructions carefully before installing your new accessories.

Helpful items to install this accessory kit:

- pencil with eraser
- bubble level
- stud finder
- hammer
- screw driver

INSTALLATION PROCEDURE

FIGURES 1 - 3



INSTALLATION PROCEDURE

24" TOWEL BAR

- (1) Hold one of the posts on the wall where desired. With a pencil, lightly trace a circle completely around the base of the post. Remove the post. Hold a mounting bracket directly in the center of the outline (see figure 1). Trace a circle around the mounting bracket and the two mounting screw holes.
- (2) Mount the bracket as shown (see figure 2). If you are mounting into wood, drill a 1/8" starter hole, discard the plastic anchors and attach the bracket to the wall. If you are mounting into plaster, tile, or drywall, drill a 7/32" or 13/64" hole for the plastic anchor. With your hammer, lightly tap the plastic anchors flush into the wall. Attach the bracket.
- (3) Secure the post to the bracket (see figure 3) with the set screw pointing down. Tighten the set screw.
- (4) For the other end, merely set the 24" bar into the mounted post and hold the other post at the correct spot. NOTE: Mount the second post "in" tightly so that there is no side to side movement of the bar. USE A BUBBLE LEVEL TO INSURE THAT THE BAR IS LEVEL. Trace a circle around the second post (see figure 1) and mount.

INSTALLATION PROCEDURE

TOWEL RING

- (1) Hold the towel ring on the wall where desired. With a pencil, lightly trace a circle completely around the base of the post. Remove the towel ring. Hold a mounting bracket directly in the center of the outline (see figure 1). Trace a circle around the mounting bracket and the two mounting screw holes.
- (2) Mount the bracket as shown (see figure 2). If you are mounting into wood, drill a 1/8" starter hole, discard the plastic anchors and attach the bracket to the wall. If you are mounting into plaster, tile, or drywall, drill a 7/32" or 13/64" hole for the plastic anchor. With your hammer, lightly tap the plastic anchors flush into the wall. Attach the bracket.
- (3) Secure the towel ring to the bracket (see figure 3) with the set screw pointing down. Tighten the set screw.

INSTALLATION PROCEDURE

DOUBLE ROBE HOOK

- (1) Hold the robe hook on the wall or door where desired. With a pencil, lightly trace a circle completely around the base of the post. Remove the hook. Hold a mounting bracket directly in the center of the outline (see figure 1). Trace a circle around the mounting bracket and the two mounting screw holes.
- (2) Mount the bracket as shown (see figure 2). If you are mounting into wood, drill a 1/8" starter hole, discard the plastic anchors and attach the bracket to the wall. If you are mounting into plaster, tile, or drywall, drill a 7/32" or 13/64" hole for the plastic anchor. With your hammer, lightly tap the plastic anchors flush into the wall. Attach the bracket.
- (3) Secure the robe hook to the bracket (see figure 3) with the set screw pointing down. Tighten the set screw.

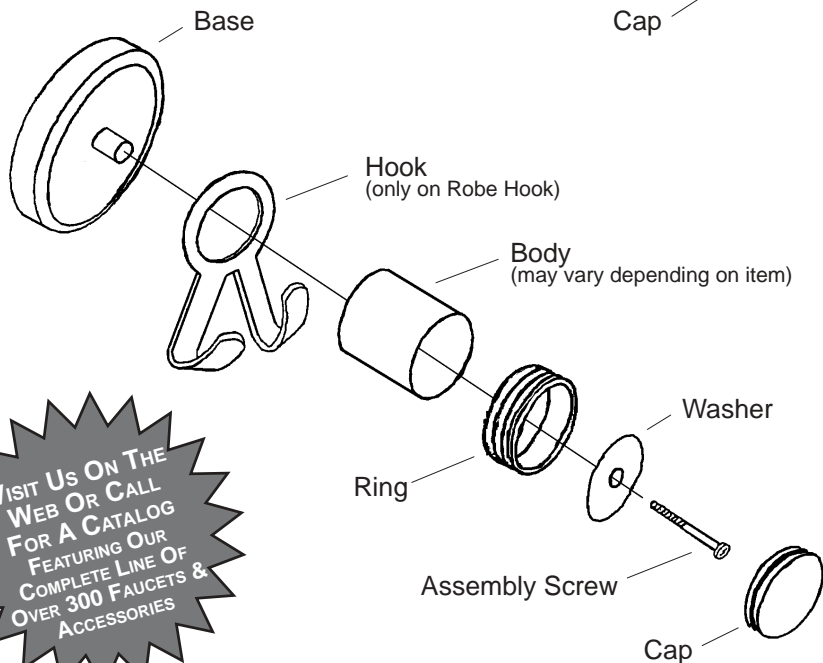
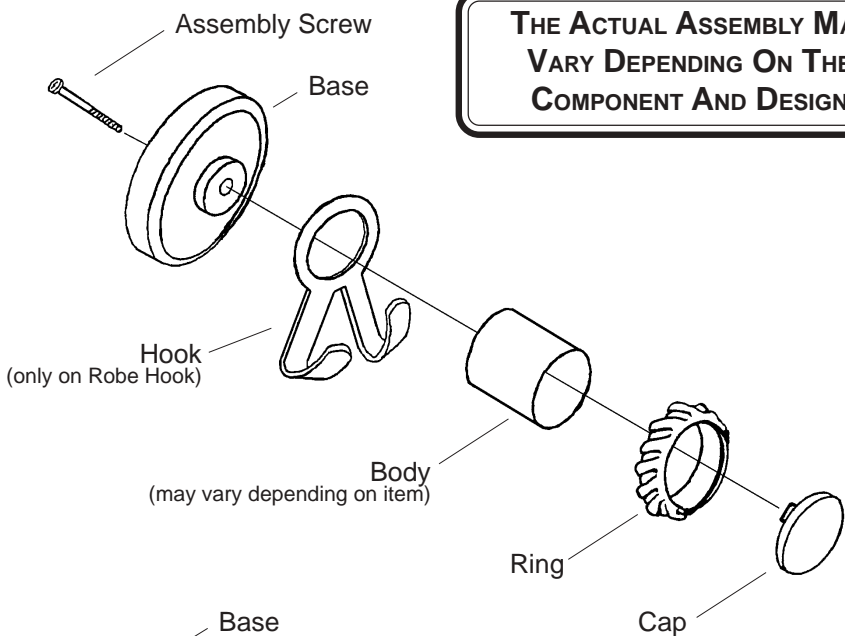
INSTALLATION PROCEDURE

TOILET PAPER HOLDER

- (1) Hold one of the posts on the wall where desired. With a pencil, lightly trace a circle completely around the base of the post. Remove the post. Hold a mounting bracket directly in the center of the outline (see figure 1). Trace a circle around the mounting bracket and the two mounting screw holes.
- (2) Mount the bracket as shown (see figure 2). If you are mounting into wood, drill a 1/8" starter hole, discard the plastic anchors and attach the bracket to the wall. If you are mounting into plaster, tile, or drywall, drill a 7/32" or 13/64" hole for the plastic anchor. With your hammer, lightly tap the plastic anchors flush into the wall. Attach the bracket.
- (3) Secure the post to the bracket (see figure 3) with the set screw pointing down. Tighten the set screw.
- (4) For the other end, merely set the spring bar into the mounted post and hold the other post at the correct spot. NOTE: Some tension on the spring bar is desirable to keep it from pulling out of place. Mount the second post slightly "in" to keep tension on the bar. USE A BUBBLE LEVEL TO INSURE THAT THE BAR IS LEVEL. Trace a circle around the second post (see figure 1) and mount.

BATH ACCESSORIES CLASSIC RING SERIES

**THE ACTUAL ASSEMBLY MAY
VARY DEPENDING ON THE
COMPONENT AND DESIGN**



**VISIT US ON THE
WEB OR CALL
FOR A CATALOG
FEATURING OUR
COMPLETE LINE OF
OVER 300 FAUCETS &
ACCESSORIES**

MATCHING ITEMS (SEE CATALOG OR INTERNET FOR DETAILS)



4" CENTER SET



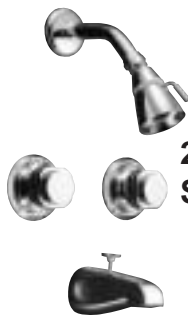
4" MINI-SPREAD



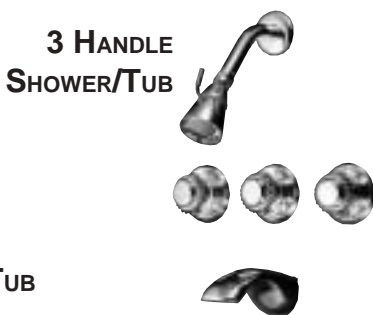
6-12" WIDESPREAD



**1 HANDLE SHOWER/TUB
(PRESSURE BALANCE)**



**2 HANDLE
SHOWER/TUB**



**3 HANDLE
SHOWER/TUB**



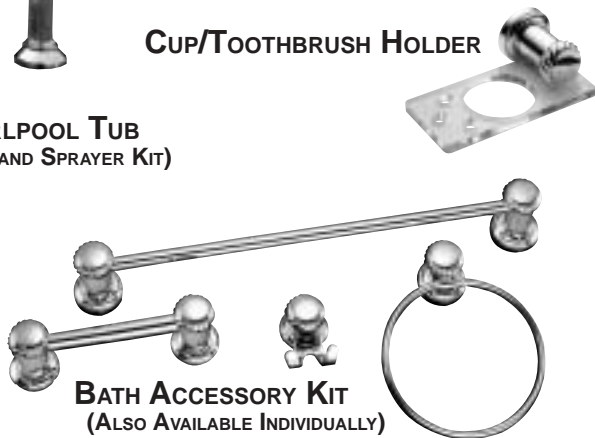
**ROMAN/WHIRLPOOL TUB
(SHOWN WITH HAND SPRAYER KIT)**



SOAP DISH



WET BAR



**BATH ACCESSORY KIT
(ALSO AVAILABLE INDIVIDUALLY)**

PROPER FINISH CARE

PROPER FINISH CARE

YOUR NEW ACCESSORIES ARE PROTECTED BY A CLEAR-COAT.

TO CLEAN THEM, YOU ONLY NEED TO WIPE THEM WITH A DAMP, SOFT CLOTH. NEVER USE ANY ABRASIVE CLEANERS, STEEL WOOL, OR CHEMICALS, AS THEY WILL HARM THE FINISH AND VOID YOUR WARRANTY. FOR ADDITIONAL CLEANING HELP, CALL OUR CUSTOMER SERVICE CENTER.

1 YEAR LIMITED WARRANTY

LIMITED WARRANTY

The manufacturer warrants this product to the original purchaser to be free from defects in material or workmanship for a period of one year from the date of purchase found on the retail sales receipt, a copy of which is required for any warranty claims. The warranty on the finish of this product is for one year from date of purchase. Do not attempt to clean your bath accessories with any kind of chemical or abrasive cleaner. Any abrasive will mar the finish and void your warranty. All that is necessary is to wipe them with a clean, damp cloth.

IF YOU NEED MORE INFORMATION CONCERNING PARTS OR SERVICE DO NOT CONTACT YOUR RETAILER, PLEASE CONTACT:

**CUSTOMER SERVICE CENTER
1-800-270-4AMC**

Please be advised that this warranty does not cover labor, or other costs of installation, removal, repair, freight to or from the manufacturer, or reinstallation of any parts or surfaces. Further, this warranty is void when a defect or failure results from misuse, neglect, accident, improper installation, or modification of the product, or as a result of work performed by other than the manufacturer.

This warranty is in lieu of all other expressed warranties. The sole and exclusive remedy against the maker hereunder shall be for repair or replacement of the parts, exclusively at the option of the manufacturer. Further, the manufacturer cannot issue refunds for products not purchased directly from the manufacturer. In no event will the maker or its agents be liable for incidental or consequential damages arising out of the purchase or use of this product.

If your state does not allow the exclusion or limitation of incidental or consequential damages the above limitations may not apply to you. This warranty gives you certain legal rights which may vary from State to State.

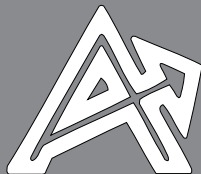
Ambassador[®]

FINE FAUCETS

IF YOU HAVE ANY PROBLEMS,
DO NOT CONTACT YOUR RETAILER
FOR SERVICE OR PARTS.
CALL OUR CUSTOMER SERVICE CENTER.
FOR QUESTIONS, SERVICE,
OR REPLACEMENT PARTS CALL:

1-800-270-4AMC

9:00 AM - 5:00 PM Pacific Time
Monday - Friday



ASSOCIATED MARKETING CONCEPTS
CUSTOMER SERVICE WAREHOUSE
21624 MARILLA STREET
CHATSWORTH, CA 91311-4123
www.ambassador-amc.com