



## INSTALLATION INSTRUCTIONS

Thank you for choosing Ambassador Marine.

Your new Ambassador Marine faucet, shower, sprayer or accessory will give you years of trouble-free performance. Please read these instructions carefully before installing your new item. If you have any additional questions about the installation of this product, feel free to contact a customer service representative at 1.800.270.4262.

### IF REPLACING AN EXISTING SPRAYER:

Turn off the water supply to your existing sprayer (this procedure will vary depending on the specific installation application). Unscrew your existing sprayer. Clean hose fitting in preparation for new sprayer.

### YOUR NEW AMBASSADOR MARINE UNIT:

#### NEEDED / HELPFUL TOOLS



Safety Glasses



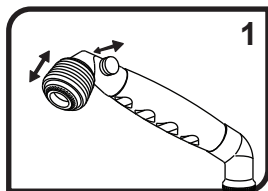
Pliers



Plumber's (Teflon) Tape



Clean Rags



1) To switch from normal aerate to spray, simply pull down on the chrome ring around the aerator. Push it back up to switch back to aerate from spray. To set the faucet to "stand-by" push the stand-by button on the side of the head of the sprayer. Push the button on the opposite side of the sprayer to allow water to flow.

**NOTE: "STAND-BY" SETTING IT NOT A COMPLETE SHUT-OFF. IT WILL ALLOW A SMALL AMOUNT OF WATER TO CONTINUE TO TRICKLE OUT OF THE SPRAYER.**

**138-0203- \_ \_**  
**Universal**  
**Classic Marine Sprayer**  
**1/2" Fitting**

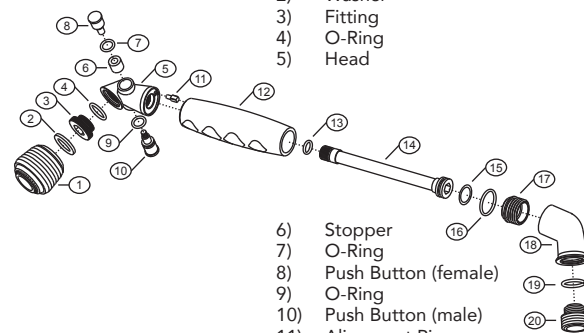


Available Color/Finish Suffix Codes  
**-CA** Chrome/Arctic White  
**-CK** Chrome/Black  
**-CW** Chrome/Warm White

ANY SUFFIX FOLLOWED WITH "-R" OR "-W" INDICATES - RETAIL PACKAGED

#### Parts

Design: Rev. B



- 1) Aerator/Sprayer
- 2) Washer
- 3) Fitting
- 4) O-Ring
- 5) Head

- 6) Stopper
- 7) O-Ring
- 8) Push Button (female)
- 9) O-Ring
- 10) Push Button (male)
- 11) Alignment Pin
- 12) Classic Handle Sleeve
- 13) O-Ring
- 14) Shaft
- 15) O-Ring
- 16) O-Ring
- 17) Adapter
- 18) 35° Elbow
- 19) O-Ring
- 20) Fitting (1/2" NPS-M 'Standard')

Need the matching  
**Bulkhead Sprayer Holder**  
 to fit with this sprayer? Ask for:  
**131-0042-CP**  
fits standard 1/2" hose conicals



### PROPER FINISH CARE

Your new faucet or accessory is protected by a marine grade finish. To clean it, you only need to wipe it with a damp, soft cloth. NEVER use any abrasive cleaners, steel wool, or chemicals (including alcohol or ammonia), as they will harm the finish and void your warranty. If the item will be installed in a salt-air environment (boat exterior), regular cleaning with gentle soap and carnauba wax will prolong the life of the finish.

### LIMITED WARRANTY

Ambassador Marine faucets and accessories are guaranteed to be free from material and workmanship defects under normal use and service for a period of five (5) years from the date of purchase. This warranty will not apply to faucets or accessories that were improperly installed, misapplied, or incompatible with components not manufactured by Ambassador. Faucet failures due to foreign debris is not covered under the terms of this limited warranty. Ambassador will not warrant any faucet or accessory that is physically damaged, or altered outside the Ambassador factory.

Returns are to be shipped postage prepaid to Ambassador Marine's service center at: Ambassador Marine, 1173 Calle Suerte, Camarillo, CA 93012. A Return Authorization Number is required and must be clearly visible on the shipping carton.

Absolutely no credit or payment will be allowed for consumers on any item deemed defective. Ambassador Marine's obligation is limited to the repair or replacement of the defective item only, at Ambassador Marine's sole discretion. All returns will be examined and/or tested under Ambassador Marine test criteria. Replacements will be shipped freight prepaid.

This limited warranty is in lieu of all other warranties, expressed or implied, and no other person is authorized to give any other warranty or assume obligation or liability on Ambassador Marine's behalf. Ambassador Marine shall not be liable for any labor, damages, or other expenses, nor shall Ambassador Marine be liable for any indirect, incidental or consequential damages of any kind incurred by the use or sale of any defective product.

This limited warranty covers Marine Products sold or distributed in the United States and Canada only. Customers who purchase Ambassador Marine products sold by distributors in other countries must consult their local distributors for their warranty policy. **This warranty is only a representation of the complete Ambassador Marine warranty outlined on the Ambassador Marine website and/or catalog.**

Visit our web site at [www.ambassadormarine.com](http://www.ambassadormarine.com)

Ambassador Marine reserves the right to update specifications, change prices, or make substitutions without notice.



1173 Calle Suerte • Camarillo, CA 93012  
 800.270.4262 • 805.482.0053 • Fax 805.482.0056  
[www.ambassadormarine.com](http://www.ambassadormarine.com) • [info@ambassadormarine.com](mailto:info@ambassadormarine.com)

Rev. 04/23  
 © 2023 Ambassador Marine, Inc., All Rights Reserved