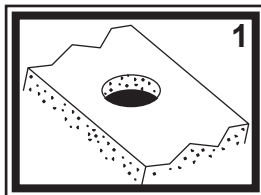
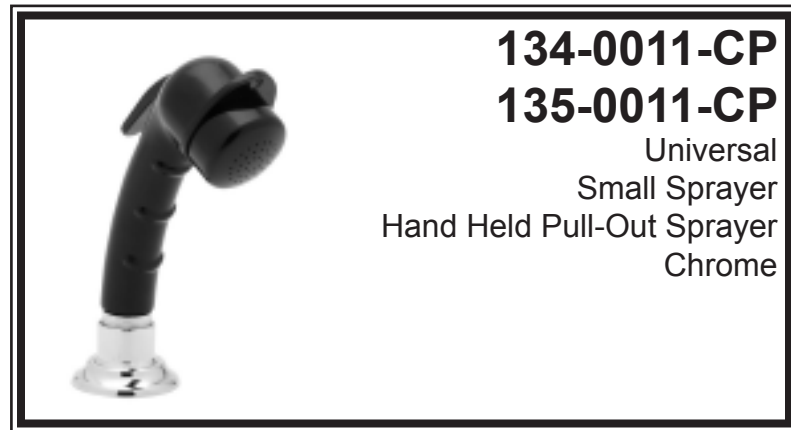


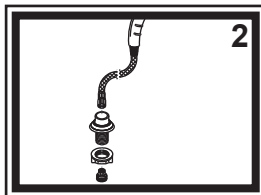
SHURflo® Marine Grade Faucets

INSTALLATION INSTRUCTIONS

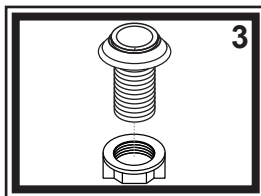
Thank you for choosing SHURflo Marine Grade Faucets. Your new SHURflo faucet or accessory will give you years of trouble-free performance. Please read these instructions carefully before installing your new faucet or accessory. If you have any additional questions about the installation of this product, please feel free to contact one of our friendly customer service representatives at (800) 854-3218.



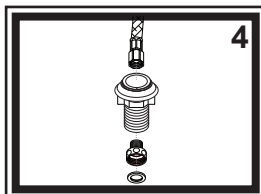
1) Check desired position to make sure there is enough room for the hose to gather under the deck without getting caught on anything. Drill 1" hole in the deck in the desired location.



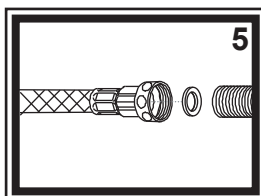
2) Remove hose nest assembly from hose/sprayer assembly. Unscrew 1/2" adapter from hose and pull hose out through the top side of the hose nest shaft. Remove lock nut from hose nest shaft.



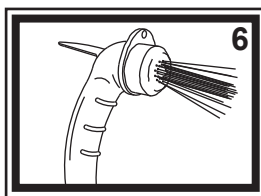
3) Slip hose nest through the hole in the deck. Make sure hose nest collar properly lines up with the hose nest shaft. From under the deck, thread the lock nut onto the hose nest shaft and tighten.



4) Slide hose/sprayer assembly back through the hose nest shaft from above the deck and replace the 1/2" adapter.



5) Connect to desired 1/2" NPT-Male water source or valve. Make sure the rubber washer is in place in the larger female side of the adapter.



6) This sprayer has two functions: intermittent and continuous. For intermittent spray, simply press down on the trigger. For continuous spray, lift up on the trigger until it locks. To release, simply press the trigger back down. If you wish to remove the hook from the sprayer, unscrew the face. Slide the hook off the sprayer and remove the large, black, flat washer from inside the face. Replace the face.

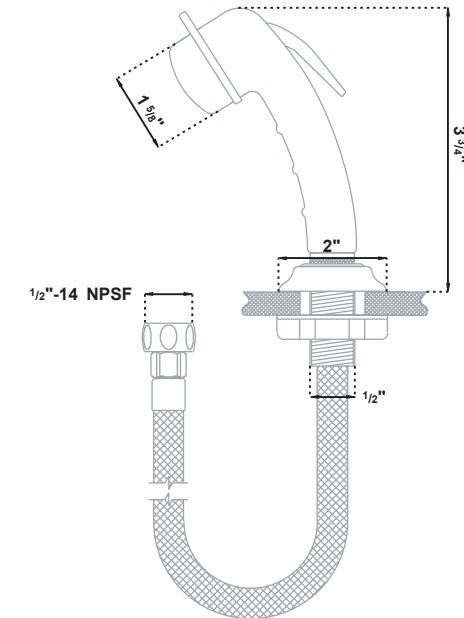
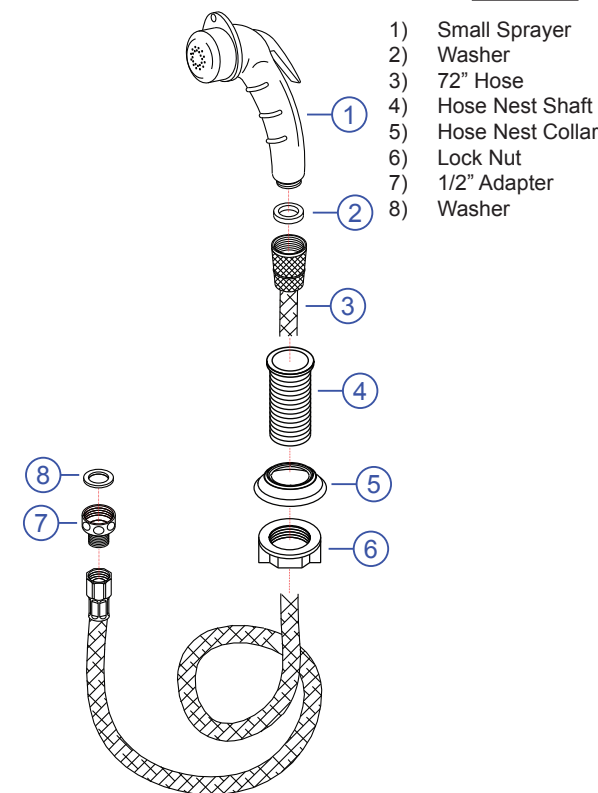
SHURflo® Marine Grade Faucets

134-0011-CP

135-0011-CP

Universal
Small Sprayer
Hand Held Pull-Out Sprayer
Chrome

Parts



PROPER FINISH CARE

Your new faucet or accessory is protected by a clear-coat. To clean it, you only need to wipe it with a damp, soft cloth. NEVER use any abrasive cleaners, steel wool, or chemicals (including alcohol or ammonia), as they will harm the finish and void your warranty. If the item will be installed in a salt-air environment (boat exterior), regular cleaning with gentle soap and carnauba wax will prolong the life of the finish.

LIMITED WARRANTY

SHURflo Marine Grade Faucets & Accessories are guaranteed to be free from material and workmanship defects under normal use and service for a period of five (5) years from the date of manufacture. This limited warranty will not apply to faucets or accessories that were improperly installed, misapplied, or incompatible with components not manufactured by SHURflo. Faucet failure due to foreign debris is not covered under the terms of this limited warranty. SHURflo will not warrant any faucet or accessory that is physically damaged, or altered outside the SHURflo factory.

Returns are to be shipped postage prepaid to either service center, SHURflo Cypress, CA or Elkhart, IN. SHURflo will not be liable for freight damage incurred during shipping. Package returns carefully.

No credit or labor allowances will be allowed for items returned as defective. SHURflo's obligation under this warranty policy is limited to the repair or replacement of the product. All returns will be tested per SHURflo factory criteria. Warranty replacements will be shipped freight prepaid. SHURflo reserves the right to choose the method of transportation.

This limited warranty is in lieu of all other warranties, expressed or implied, and no other person is authorized to give any other warranty or assume obligation or liability on SHURflo's behalf. SHURflo shall not be liable for any labor, damage or other expense, nor shall SHURflo be liable for any indirect, incidental or consequential damages of any kind incurred by the use or sale of any defective product or part. Authorized SHURflo Distributors (ASD) have the right to their own return / freight policies. Consult with the local ASD for their specific procedures. This limited warranty covers Marine products distributed within the United States of America. Other world Market areas should consult with the local distributor for any deviation from this document. This warranty is only a representation of the complete Marine Products Limited Warranty outlined by Service Bulletin #1050.



Visit our Web Site at <http://www.shurflo.com>
SHURflo reserves the right to update specifications, change prices, or make substitutions without notice.

SHURflo
5900 Katella Avenue
Cypress, CA 90630
Phone (562) 795-5200
Toll Free (800) 854-3218
Fax (562) 795-7564

SHURflo East
52748 Park Six Court
Elkhart, IN 46514-5427
Phone (562) 795-5200
Toll Free (800) 854-3218
Fax (574) 264-2169

SHURflo Europe / Middle East / Africa
Pentair Water Belgium bvba
Industriepark Wolfstee, Toekomstlann 30
B-2200 Herentals, Belgium
Phone +32-14-283500
Fax +32-14-283505

 **Pentair Water**
FLOW TECHNOLOGIES GROUP
5900 Katella Ave, Cypress, CA 90630
Phone (562) 795-5200 • (800) 854-3218 • Fax (562) 795-7564
www.shurflo.com