

INSTRUCTION GUIDE

- Step-By-Step Illustrated Installation Instructions
 - Nozzle Cleaning Instructions
 - Proper Finish Care
 - 1 Year Limited Warranty

👉 Read these instructions carefully before installing your new showerhead 👉

Ambassador®
FINE FAUCETS

VISIT US
www.ambassador-amc.com
ON THE WEB



CALL FOR A
FREE CATALOG
FEATURING OUR
COMPLETE LINE OF
OVER 400 FAUCETS
& ACCESSORIES

SUNFLOWER SHOWERHEAD with Adjustable Shower Arm

For Model:

- 317-1195
- 317-1197
- 317-1297

BEFORE YOU BEGIN

Your new Ambassador showerhead will give you years of trouble-free performance. Thank you for choosing our product for your home. Please read these instructions carefully before installing your new showerhead.

Helpful items to install this showerhead:

- adjustable wrench or pliers
- towel

IMPORTANT POINTS TO REMEMBER

- CAUTION: Connections and wing-nuts that are too tight will reduce the integrity of the system.
- Wrap all threaded connections with Teflon tape that is supplied with this showerhead. Always wrap in a clockwise direction.

INSTALLATION PROCEDURE

1

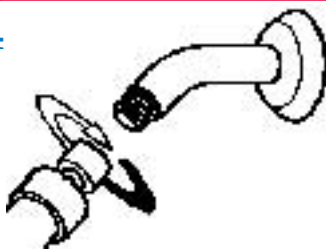


(1) Remove your existing showerhead from your existing shower arm. Unscrew it by turning it counter-clockwise.

(2) Clean away any debris, plumber's putty or Teflon tape from the threads of your existing shower arm.

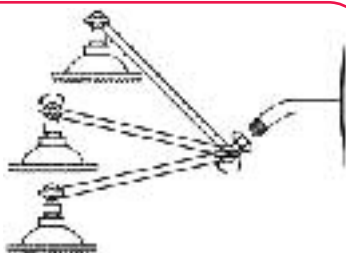
(3) Wrap the threads on your existing shower arm with Teflon tape (included).

4



(4) Insert the black rubber washer into the fitting on the end of your new extension arm. Attach new extension arm to your existing shower arm by turning the extension arm clockwise.

5



(5) Adjust the height and angle of your new extension arm as desired. Simply loosen the wingnut(s), adjust and retighten.

WATER-SAVING RESTRICTOR

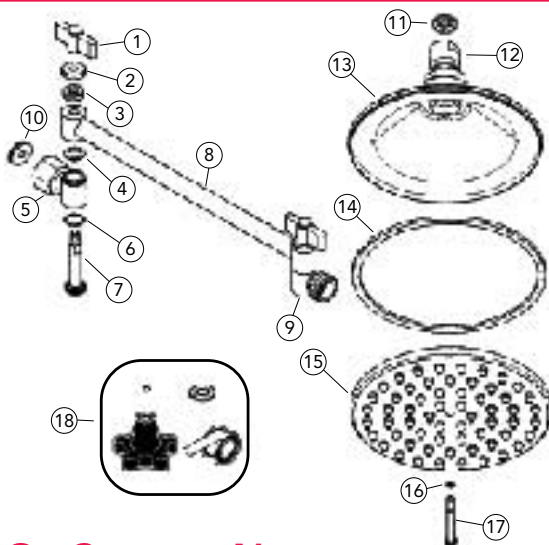
Federal law requires we install a water-saving flow restrictor (2.5 gallons per minute maximum) in your showerhead. If your water flow is below 2.5 GPM, you can easily remove the restrictor. Remove your Sunflower showerhead from the extension arm. With a Phillips-head screwdriver, simply unscrew the small white disk in the showerhead fitting. Discard flow restrictor disk.

NOTE: Your Sunflower showerhead package includes an extra tiny o-ring. If, in the future, it is ever necessary to remove the face plate, you can replace the existing o-ring with this extra one!

MAINTENANCE • CARE

PART NUMBERS

| | |
|-------------------------|----------------------|
| 1) Wing Nut | 02987YP |
| 2) Cover | 04508CP |
| 3) Washer | 05822 |
| 4) Packing Ring | 20030 |
| 5) Female Connector | 05742CP |
| 6) O-Ring | 04891 |
| 7) Bolt | 12523CP |
| 8) Arm | 51705CP |
| 9) Male Connector | 05741CP |
| 10) Water Restrictor | 11311 |
| 11) Washer | 05807 |
| 12) Fitting | 05708CP-11 |
| 13) Housing | 05567CP |
| 14) Gasket | 05820 |
| 15) Face Plate | 13326CY |
| 16) O-Ring | 00458 |
| 17) Face Screw | 05342YP |
| 18) Package (Includes:) | 51059 |
| Face Screw Tool | 03108 |
| Washer | 05807 (may not need) |
| O-Ring | 00458 (extra) |
| Teflon Tape | 20301 |



DISCOLORED OR CLOGGED NIPPLES

After time, mineral deposits may build up on the metal nipples. It is usually not necessary to open your shower head. Cleaning from the outside is advised.

After time, green or white mineral deposits may build up on the metal nipples. Build-up is NOT a discoloration of the metal. It is a mineral build-up and chemical reaction to the metal nipples, that will clean off easily.

A mild soap and water solution should be sufficient, however, a stronger vinegar and water solution or gentle cleaning product (such as "Lime-Away" or "Soft-Scrub") may also be used. In serious cases, soak the entire face plate in the vinegar solution overnight.

In severe cases, it may be necessary to open the shower head and clean the nipples from the inside. Remove the face plate with the plastic wrench (included). Unscrew only the center nut of your showerhead. Using a wire brush or a small piece of wire, poke through each nipple to break away the minerals. NOTE: Always unclog nipples from the inside to avoid finish damage. Replace face plate taking care to properly align the large black gasket with the edge of the housing and o-ring with the front of the face plate. Do not over tighten center nut.

PROPER FINISH CARE

Your new Sunflower showerhead is protected by a clear-coat. To clean the surface, you only need to wipe it with a damp, soft cloth. NEVER use any abrasive cleaners, steel wool or chemicals, as they will harm the finish and void your warranty. For additional cleaning help, call our Customer Service Center at 1-800-270-4AMC.

1 YEAR LIMITED WARRANTY

The manufacturer warrants this product to the original purchaser to be free from defects in material or workmanship for a period of one year from the date of purchase found on the retail sales receipt, a copy of which is required for any warranty claims. The warranty on the finish of this product is for one year from date of purchase. Do not attempt to clean your bath accessories with any kind of chemical or abrasive cleaner. Any abrasive will mar the finish and void your warranty. All that is necessary is to wipe them with a clean, damp cloth.

IF YOU NEED MORE INFORMATION CONCERNING PARTS OR SERVICE
DO NOT CONTACT YOUR RETAILER, PLEASE CONTACT:

CUSTOMER SERVICE CENTER
1-800-270-4AMC

Please be advised that this warranty does not cover labor, or other costs of installation, removal, repair, freight to or from the manufacturer, or reinstallation of any parts or surfaces. Further, this warranty is void when a defect or failure results from misuse, neglect, accident, improper installation, or modification of the product, or as a result of work performed by other than the manufacturer.

This warranty is in lieu of all other expressed warranties. The sole and exclusive remedy against the maker hereunder shall be for repair or replacement of the parts, exclusively at the option of the manufacturer. Further, the manufacturer cannot issue refunds for products not purchased directly from the manufacturer. In no event will the maker or its agents be liable for incidental or consequential damages arising out of the purchase or use of this product.

If your state does not allow the exclusion or limitation of incidental or consequential damages the above limitations may not apply to you. This warranty gives you certain legal rights which may vary from State to State.

Ambassador™

FINE FAUCETS

... beautiful products built to last.

If You Have Any Problems,
DO NOT CONTACT YOUR RETAILER
FOR SERVICE OR PARTS.

Call Our Customer Service Center.

For Questions, Service,
Or Replacement Parts Call:

1-800-270-4AMC

9:00 AM - 5:00 PM Pacific Time

Monday - Friday



CALL FOR A
FREE CATALOG
FEATURING OUR
COMPLETE LINE OF
OVER 400 FAUCETS
& ACCESSORIES



Associated Marketing Concepts
Customer Service Warehouse
21624 Marilla Street
Chatsworth, CA 91311-4123
www.ambassador-amc.com