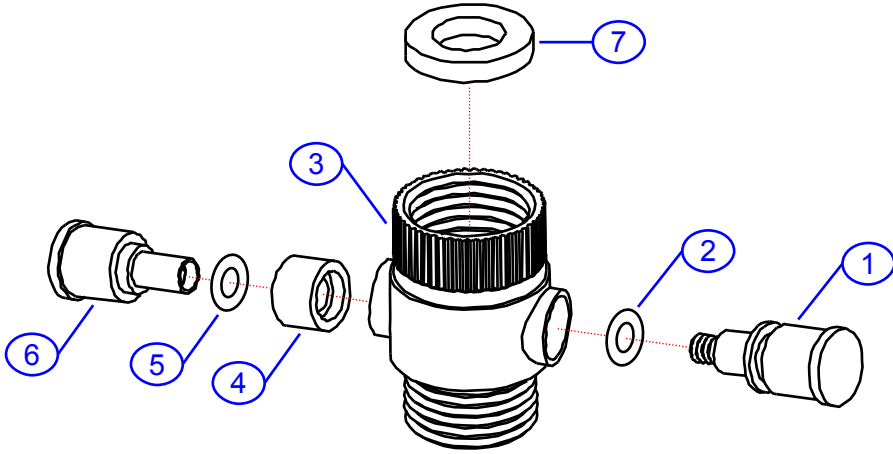


Rev. Change	
A	Original
B	
C	
D	

130-0013-xx

SHURflo Marine Grade Faucets
 5900 Katella Ave., Cypress, CA 90630
 800.854.3218 • 562.795.5200 • Fax 562.795.7564
 www.shurflo.com

Rev #	A	Package Style	OEM	Model #	130-0013-xx
Vendor #	A663301xx-ASJ8	Approved/Modified		Series	Universal
Drawn By	SS	7/22/04		Type	Stand-By Switch (Std. 1/2")



NOT DRAWN TO SCALE

130-0013-xx

Universal
Stand-By Switch (Std. 1/2")
Rev. A



#	Description	Part #	Finish					Qty
			CP					
1	Push-Button (Male)	E-113103	CP					1
2	O-Ring	E-004000N						1
3	Body	E-057147*	CP					1
4	Slider	E-045166						1
5	O-Ring	E-004000N						1
6	Push-Button (Female)	E-113104	CP					1
7	Washer	E-058007						1

* - Part is not available individually. "Assembled" item is required.
** - Assembly is in-stock at SHURflo and must be shipped directly from SHURflo's distribution center.