

REV. CHANGE	
A	SHURflo Branded
B	Ambassador Branded
C	Refreshed

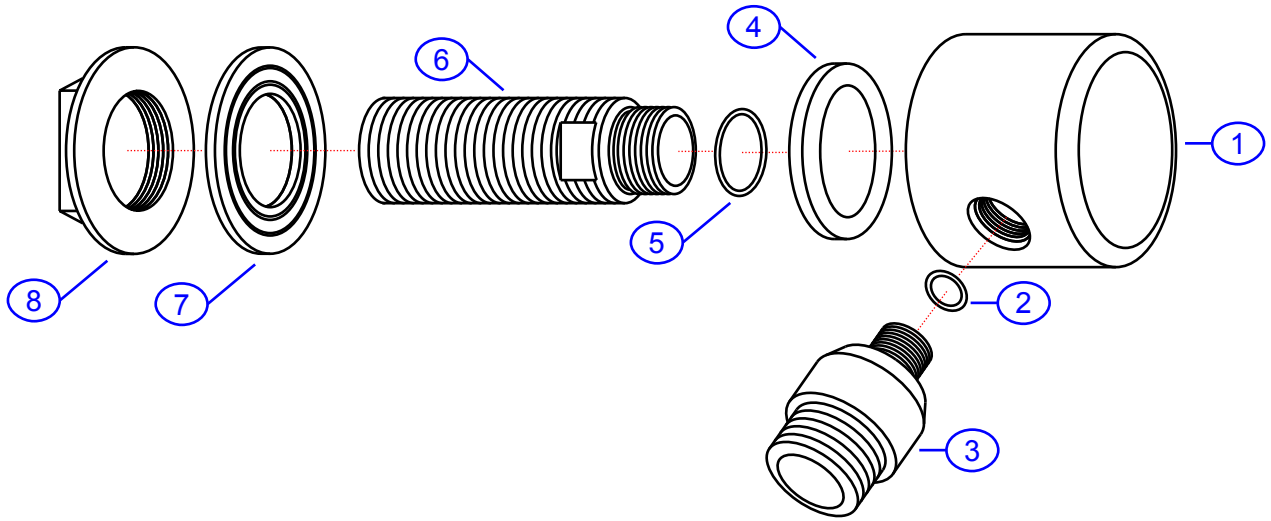
**130-0015-xx**

www.ambassadormarine.com  
800.270.4262

© Ambassador Marine, Inc.

**Ambassador**  
MARINE

Rev #	C	Package Style	OEM	Model #	<b>130-0015-xx</b>
ERP #	103317xx	Series	Universal	Type	90-Degree Elbow
Drawn By	SS	Approved/Modified	12/02/2019		



NOT DRAWN TO SCALE

