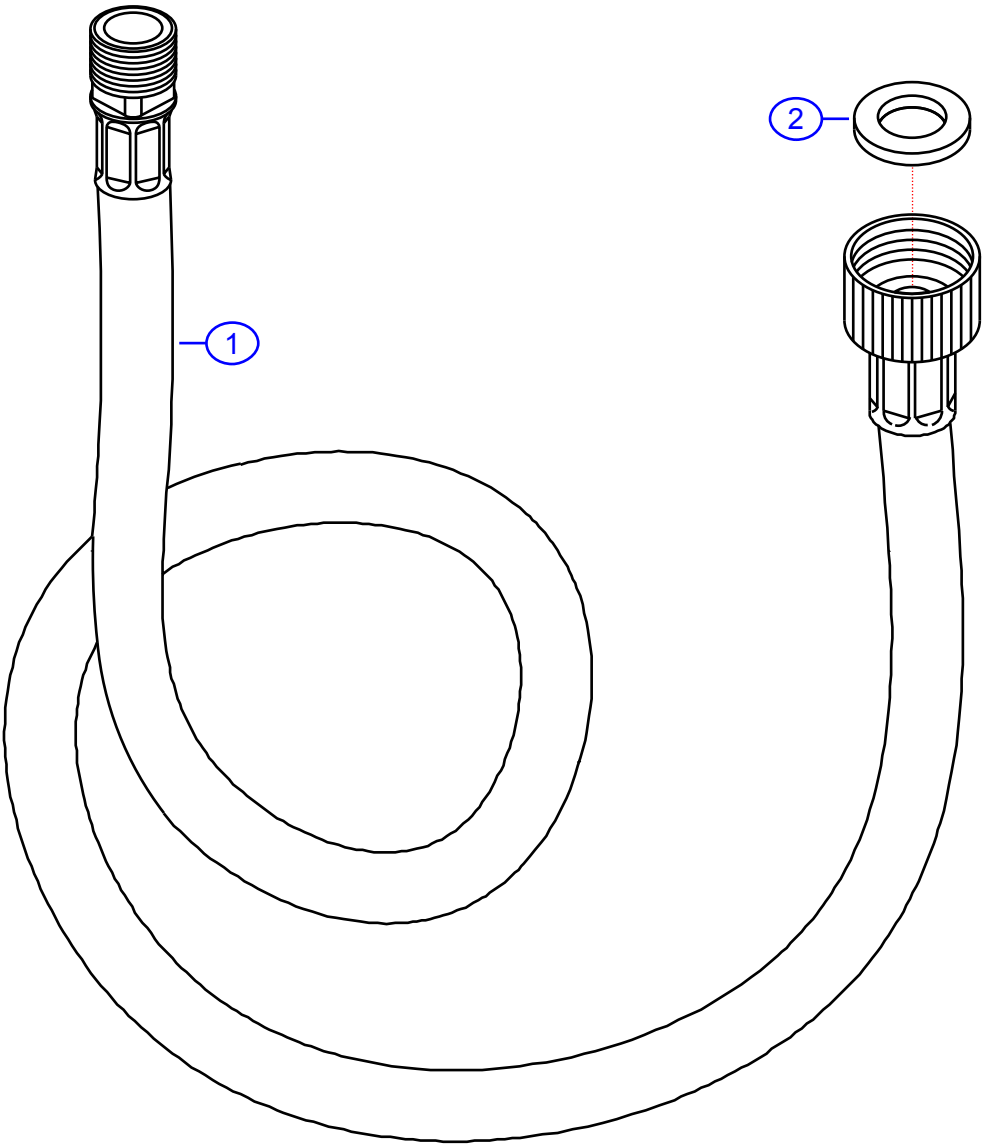
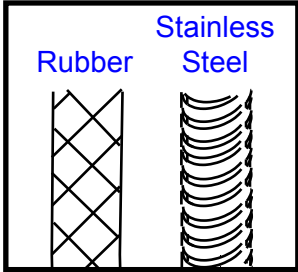


REV. CHANGE	
A	Ambassador Branded
B	Refreshed
C	Extra-Soft (Rubber Hose)



130-0017-xx

www.ambassadormarine.com
800.270.4262

© Ambassador Marine, Inc.

Ambassador
MARINE

Rev #	C	Package Style	Bulk	Model #	130-0017-xx
ERP #		Rubber (PVC): 300230xx		Series	6' Replacement Hose
Drawn By	SS	Stainless Steel: 300240xx		Type	15/1 Metric-M + 1/2' NPS-F
		Approved/Modified			
		10/27/2025			

NOT DRAWN TO SCALE

