

Rev. Change

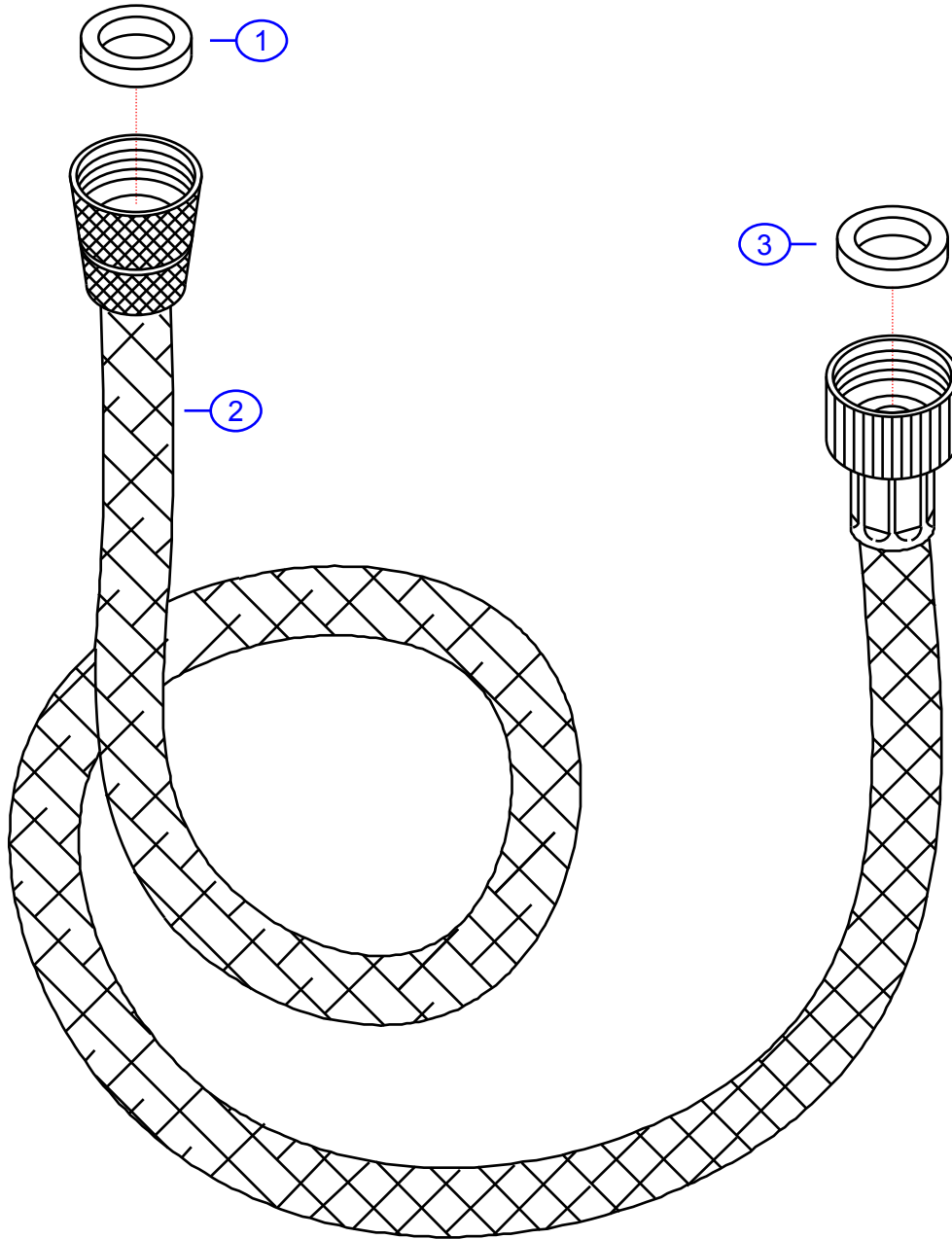
| | |
|---|----------|
| A | Original |
| B | |
| C | |
| D | |

130-0018-xx

SHURflo Marine Grade Faucets
5900 Katella Ave., Cypress, CA 90630
800.854.3218 • 562.795.5200 • Fax 562.795.7564
www.shurflo.com



| | | | | | |
|----------|----------------|---------------|-----------------------|-------------------|--------------------|
| Rev # | A | Package Style | OEM | Model # | 130-0018-xx |
| Vendor # | A105124xx-ASJ8 | Series | Universal | Approved/Modified | 1/17/05 |
| Drawn By | SS | Type | 120" Replacement Hose | | |



NOT DRAWN TO SCALE

