

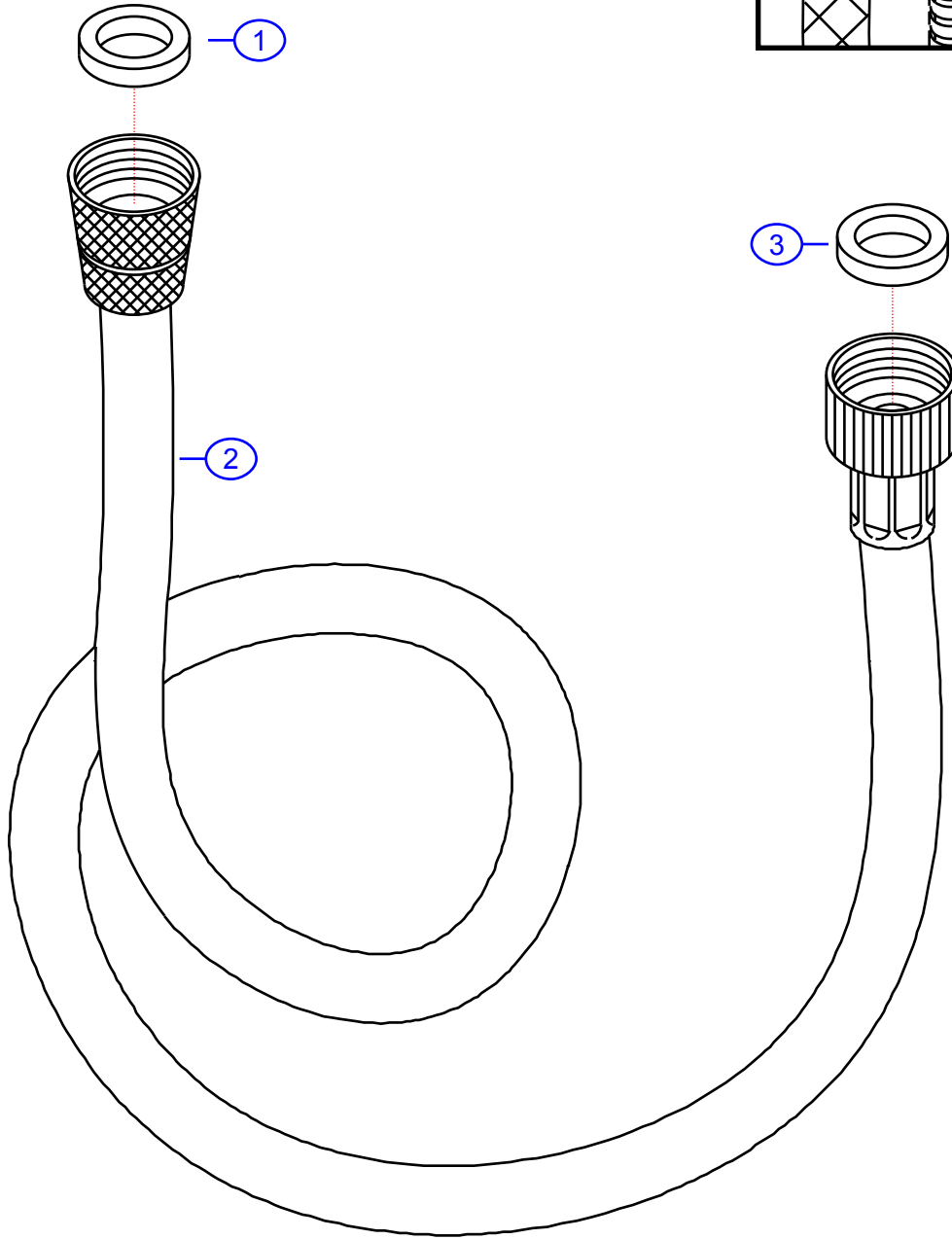
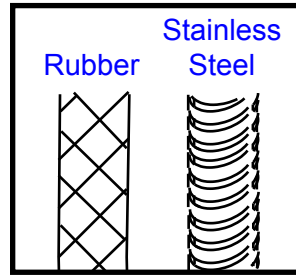
130-0018-xx

by Associated Marketing Concepts
www.ambassadormarine.com
(800) 270-4262

Ambassador
MARINE

Rev #	B	Package Style	Bulk	Model #	130-0018-xx
Vendor #		Rubber:	A105124Nxx-ASG6	Series	Replacement Hose
Drawn By	SS	SS:	A105125Nxx-ASG6	Type	10' (for Transom / Slide Bar / Hand-Held)
		Approved/Modified	9/16/12		

Rev. Change	
A	SHURflo branded
B	Ambassador branded
C	
D	



NOT DRAWN TO SCALE

