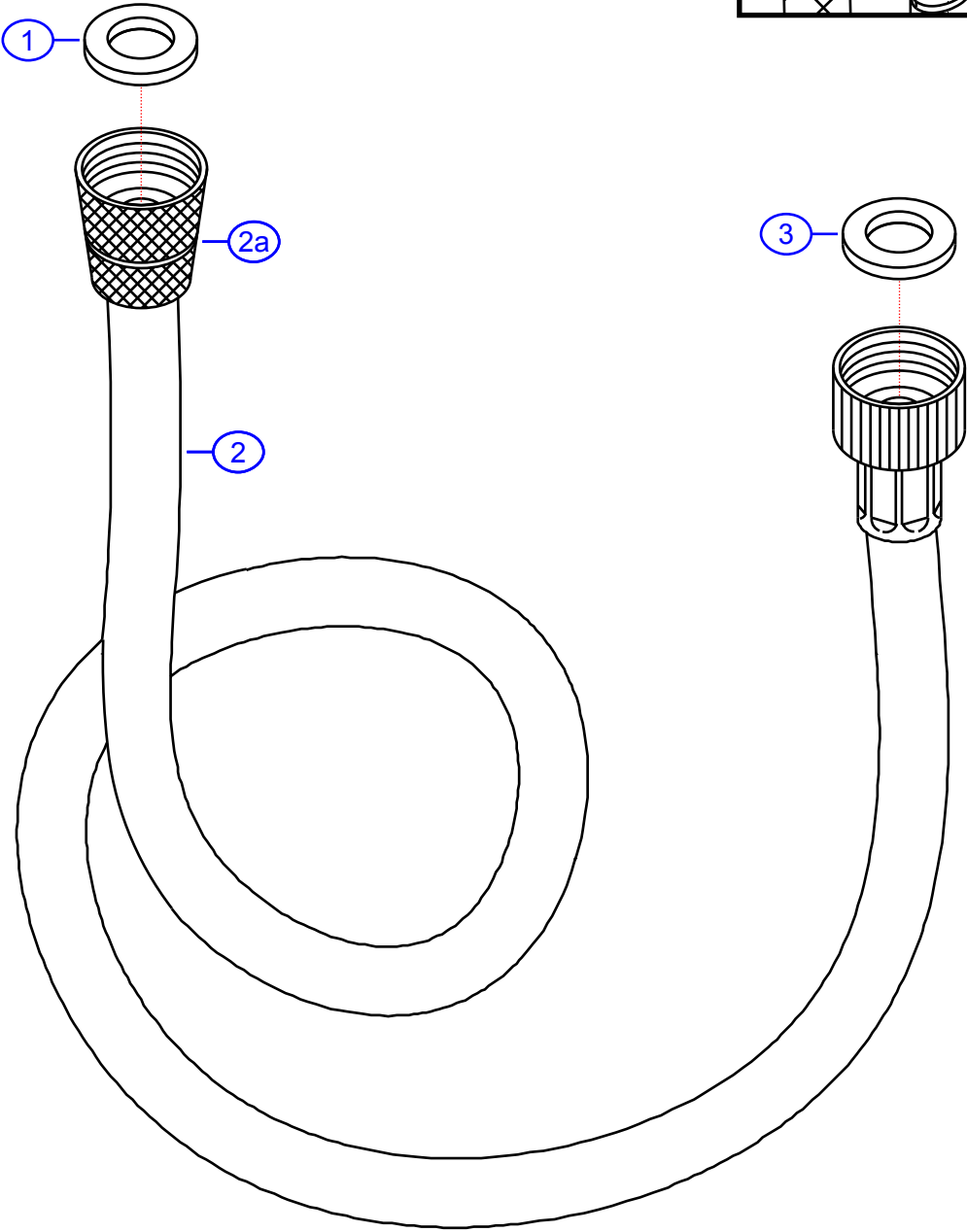
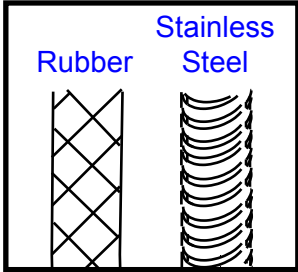


REV. CHANGE	
A	SHURflo Branded
B	Ambassador Branded
C	Refreshed



130-0018-xx

www.ambassadormarine.com
800.270.4262

© Ambassador Marine, Inc.

Ambassador
MARINE

Rev #	C	Package Style	Bulk	Model #	130-0018-xx
ERP #		Rubber (PVC): 300227xx		Series	10' Replacement Hose
Drawn By	SS	Stainless Steel: 300237xx		Type	1/2" Conical NPS-F + 1/2" NPS-F
		Approved/Modified			
		07/24/2019			

NOT DRAWN TO SCALE

