

# 130-0029-xx

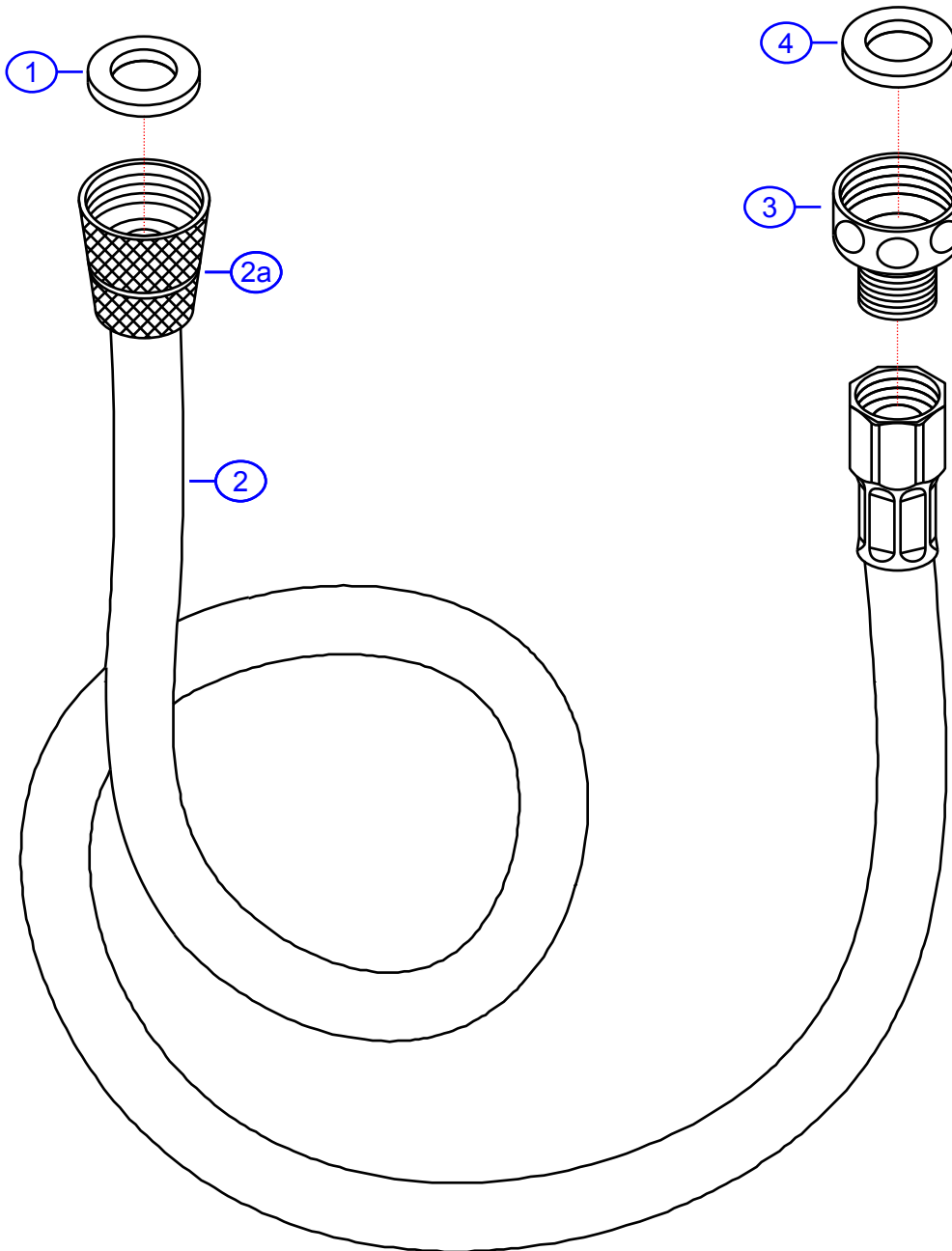
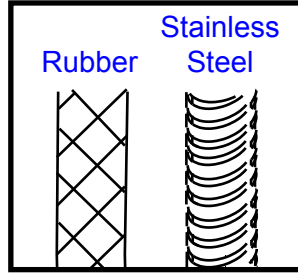
www.ambassadormarine.com  
800.270.4262

© Ambassador Marine, Inc.

## Ambassador MARINE

Rev #	B	Package Style	Bulk	Model #	<b>130-0029-xx</b>
ERP #		Rubber (PVC): 300228xx Stainless Steel: 300238xx		Series	10' Replacement Hose
Drawn By	SS	Approved/Modified	07/24/2019	Type	1/2" Conical NPS-F + 1/2" NPS-F Adapter

REV. CHANGE	
A	Ambassador Branded
B	Refreshed



NOT DRAWN TO SCALE

