

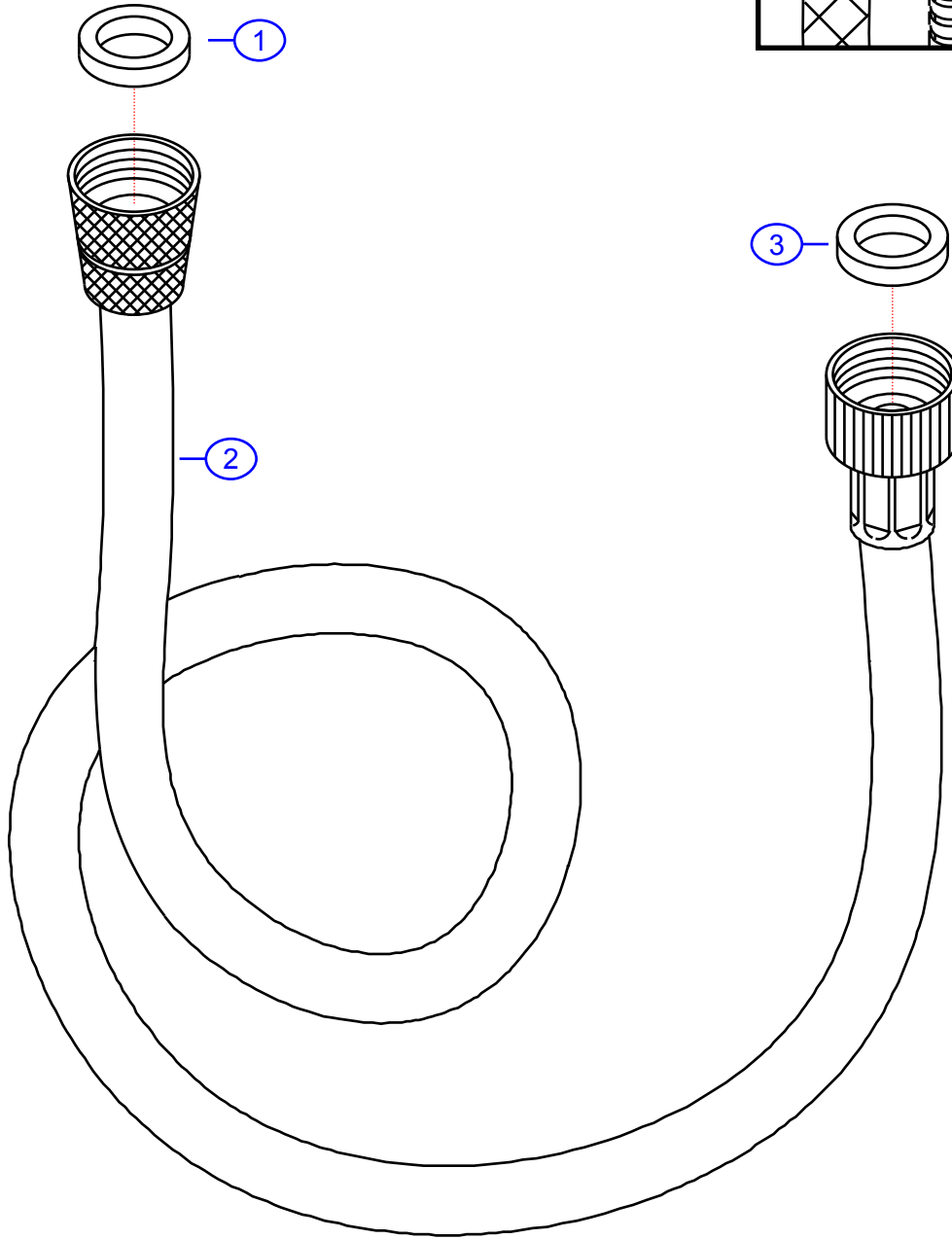
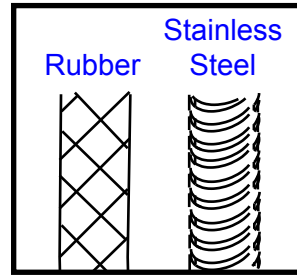
# 130-0033-xx

by Associated Marketing Concepts  
www.ambassadormarine.com  
(800) 270-4262



Rev #	A	Package Style	Bulk	Model #	<b>130-0033-xx</b>
Vendor #	Rubber: A105123Nxx-ASG6 SS: A134036Nxx-ASG6			Series	Replacement Hose
Drawn By	SS	Approved/Modified	6/29/12	Type	6' (for Transom / Slide Bar / Hand-Held)

Rev. Change	
A	Ambassador branded
B	
C	
D	



NOT DRAWN TO SCALE

