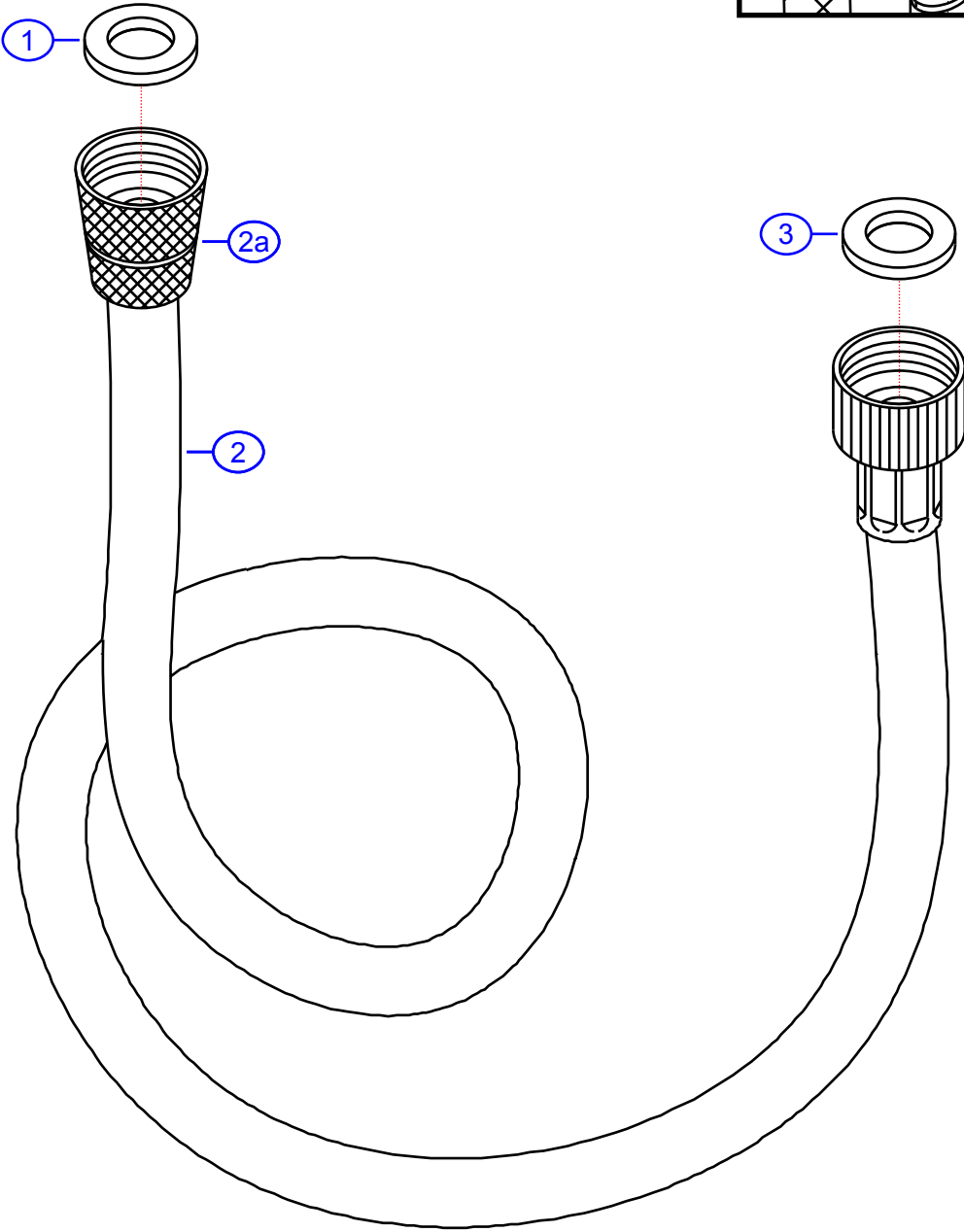
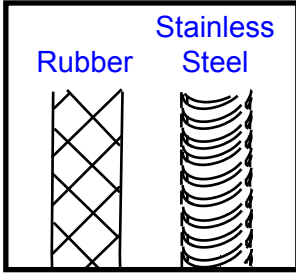


REV. CHANGE	
A	Ambassador Branded
B	Refreshed



**130-0033-xx**

www.ambassadormarine.com  
800.270.4262

© Ambassador Marine, Inc.

**Ambassador**  
MARINE

Rev #	B	Package Style	Bulk	Model #	<b>130-0033-xx</b>
ERP #		Rubber (PVC): 300229xx		Series	6' Replacement Hose
Drawn By	SS	Stainless Steel: 300239xx		Type	1/2" Conical NPS-F + 1/2" NPS-F
		Approved/Modified			
		07/24/2019			

NOT DRAWN TO SCALE

