

REV. CHANGE

A	Ambassador Branded
B	Refreshed
C	Extra-Soft (Rubber Hose)

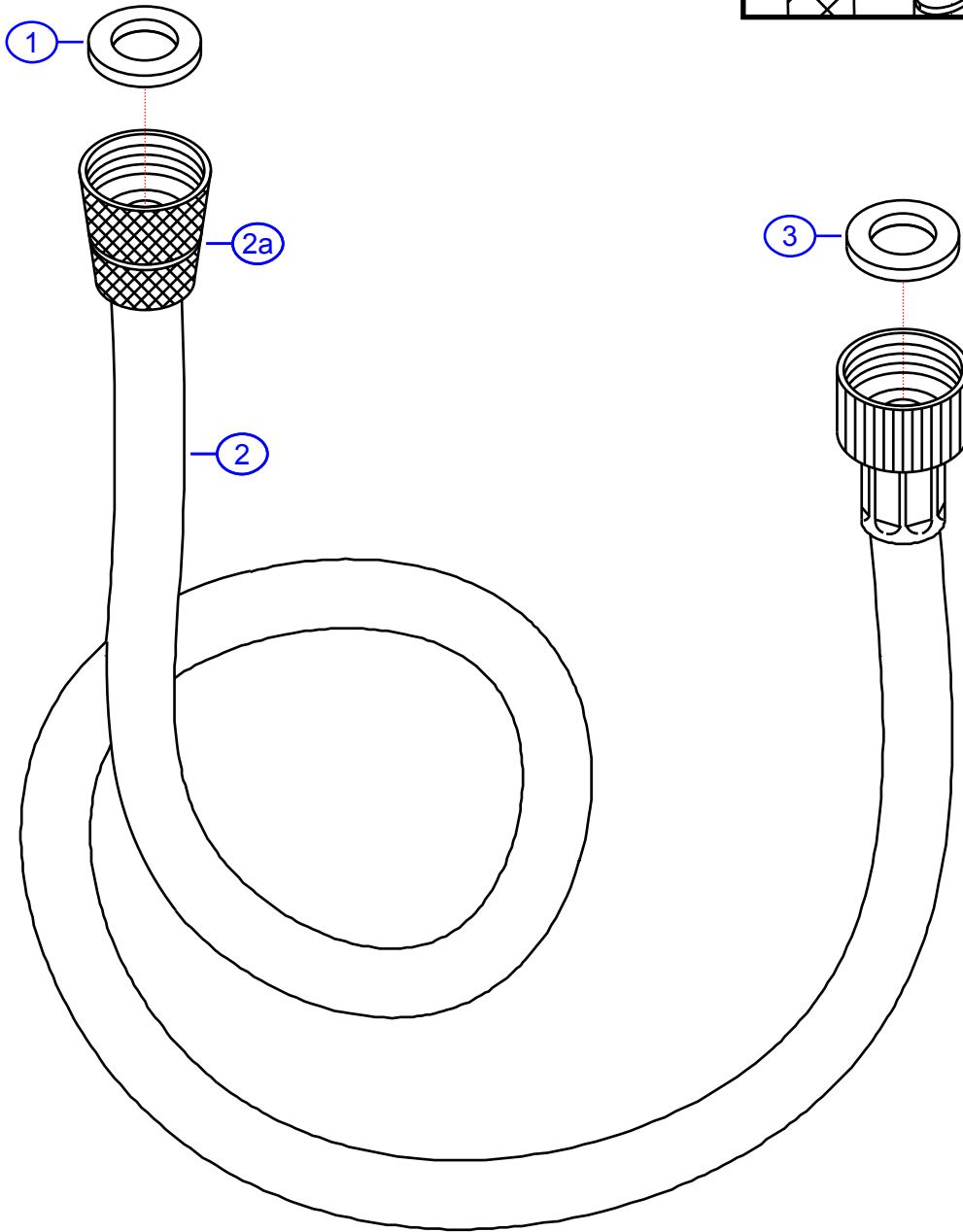
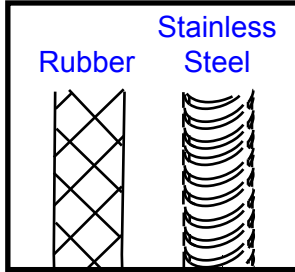
130-0033-xx

www.ambassadormarine.com
800.270.4262

© Ambassador Marine, Inc.

Rev #	C	Package Style Bulk	Model # 130-0033-xx
	ERP #		
Drawn By	SS	Approved/Modified	05/17/2026
Series	6' Replacement Hose		
Type	1/2" Conical NPS-F + 1/2" NPS-F		

Ambassador
MARINE



NOT DRAWN TO SCALE

