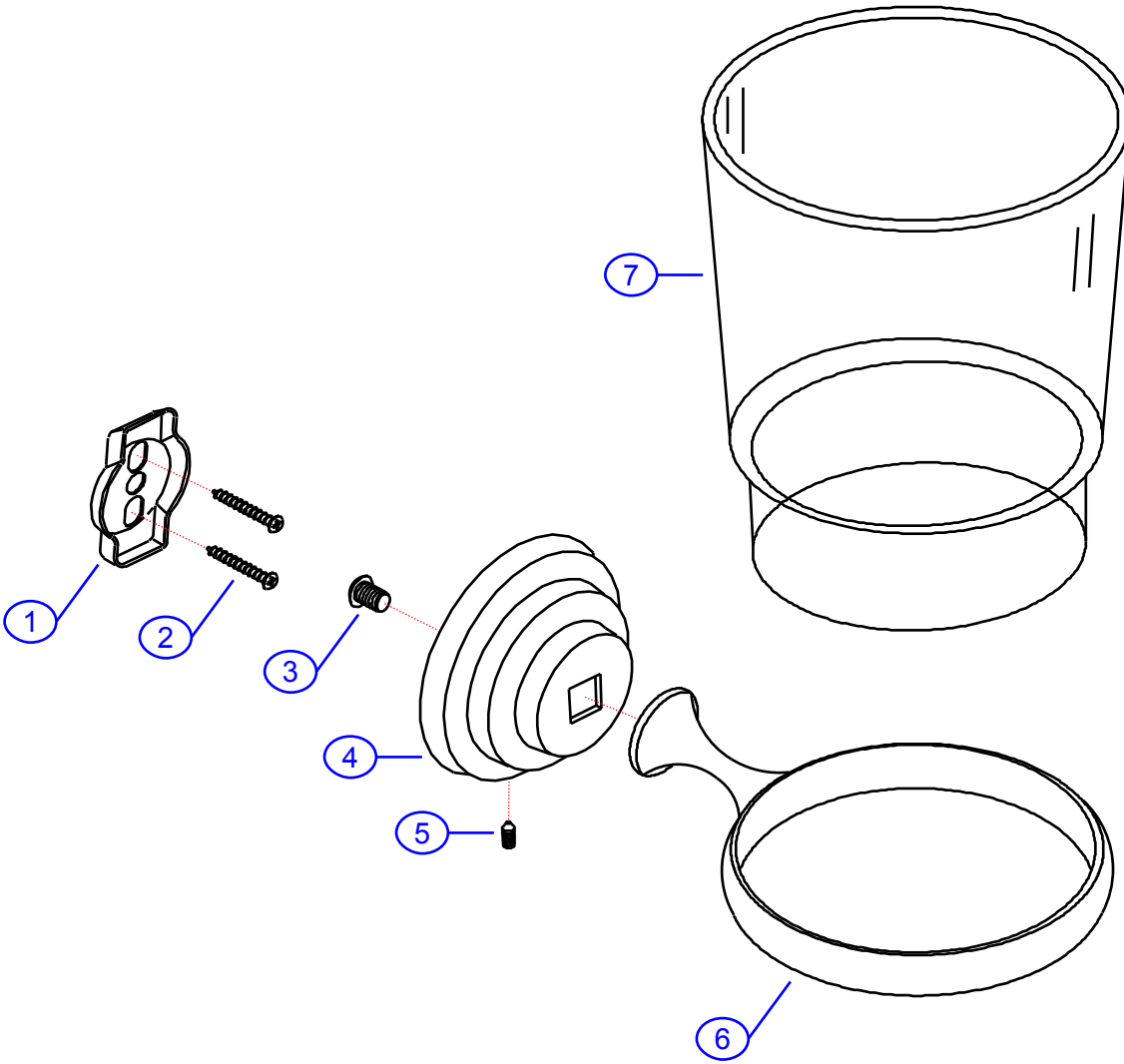


Rev. Change	
A	Original
B	
C	
D	

**130-0108-xx**


 SHURflo Marine Grade Faucets  
 5900 Katella Ave., Cypress, CA 90630  
 800.854.3218 • 562.795.5200 • Fax 562.795.7564  
 www.shurflo.com

Rev #	A	Package Style	OEM	Model #	<b>130-0108-xx</b>
Vendor #	B6661103xx-ASJ8	Series	Stasis	Cup Holder	
Drawn By	SS	Approved/Modified	6/25/04		



NOT DRAWN TO SCALE

