

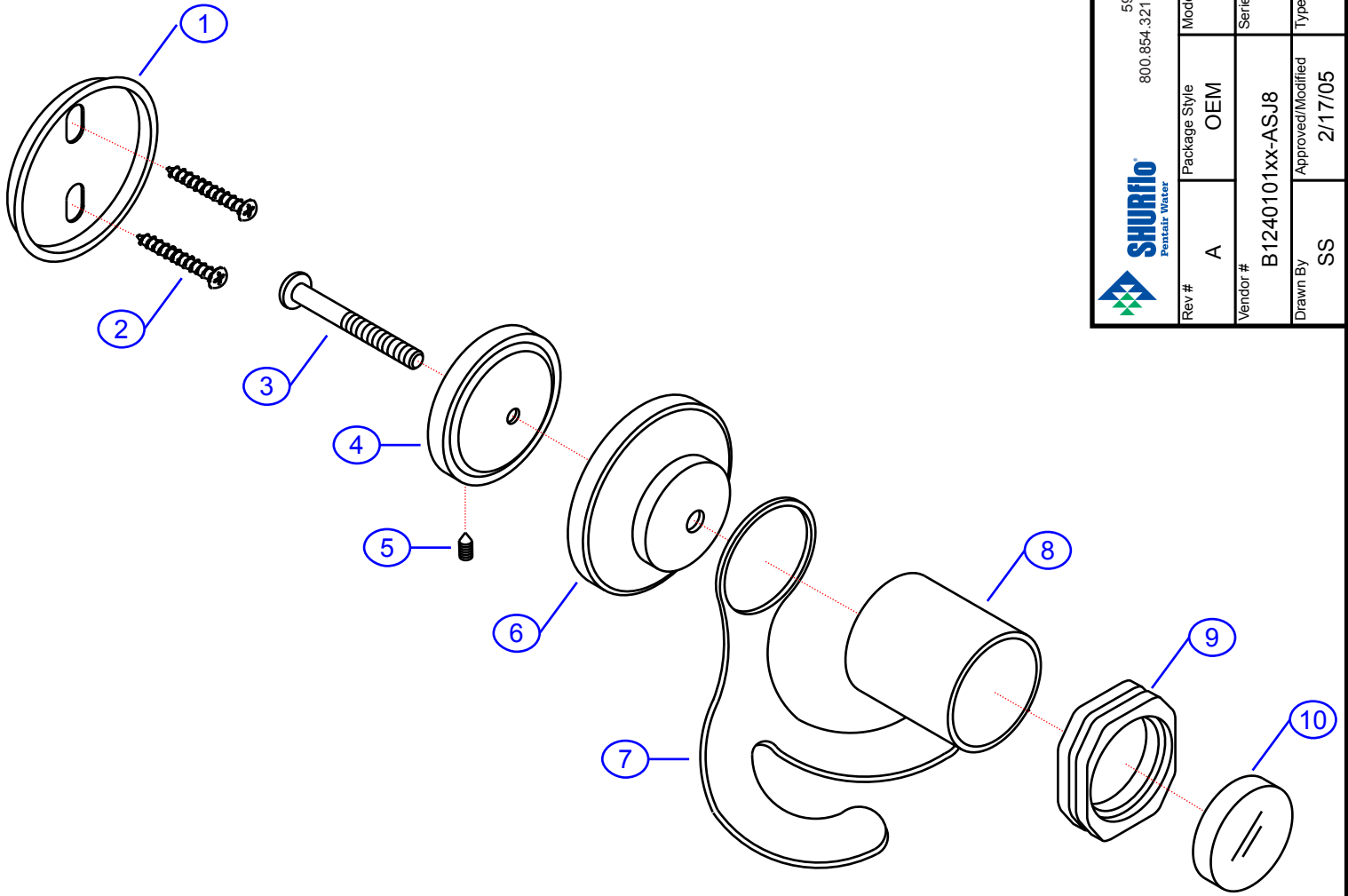
Rev. Change	
A	Original
B	
C	
D	

**130-0410-xx**

**SHURflo**  
Pentair Water

SHURflo Marine Grade Faucets  
5900 Katella Ave., Cypress, CA 90630  
800.854.3218 • 562.795.5200 • Fax 562.795.7564  
www.shurflo.com

Rev #	A	Package Style	OEM	Model #	<b>130-0410-xx</b>
Vendor #	B124010xx-ASJ8	Approved/Modified		Series	Pisces
Drawn By	SS	2/17/05		Type	Robe Hook



NOT DRAWN TO SCALE

