

Rev. Change

| | |
|---|--------------------|
| A | Ambassador branded |
| B | |
| C | |
| D | |

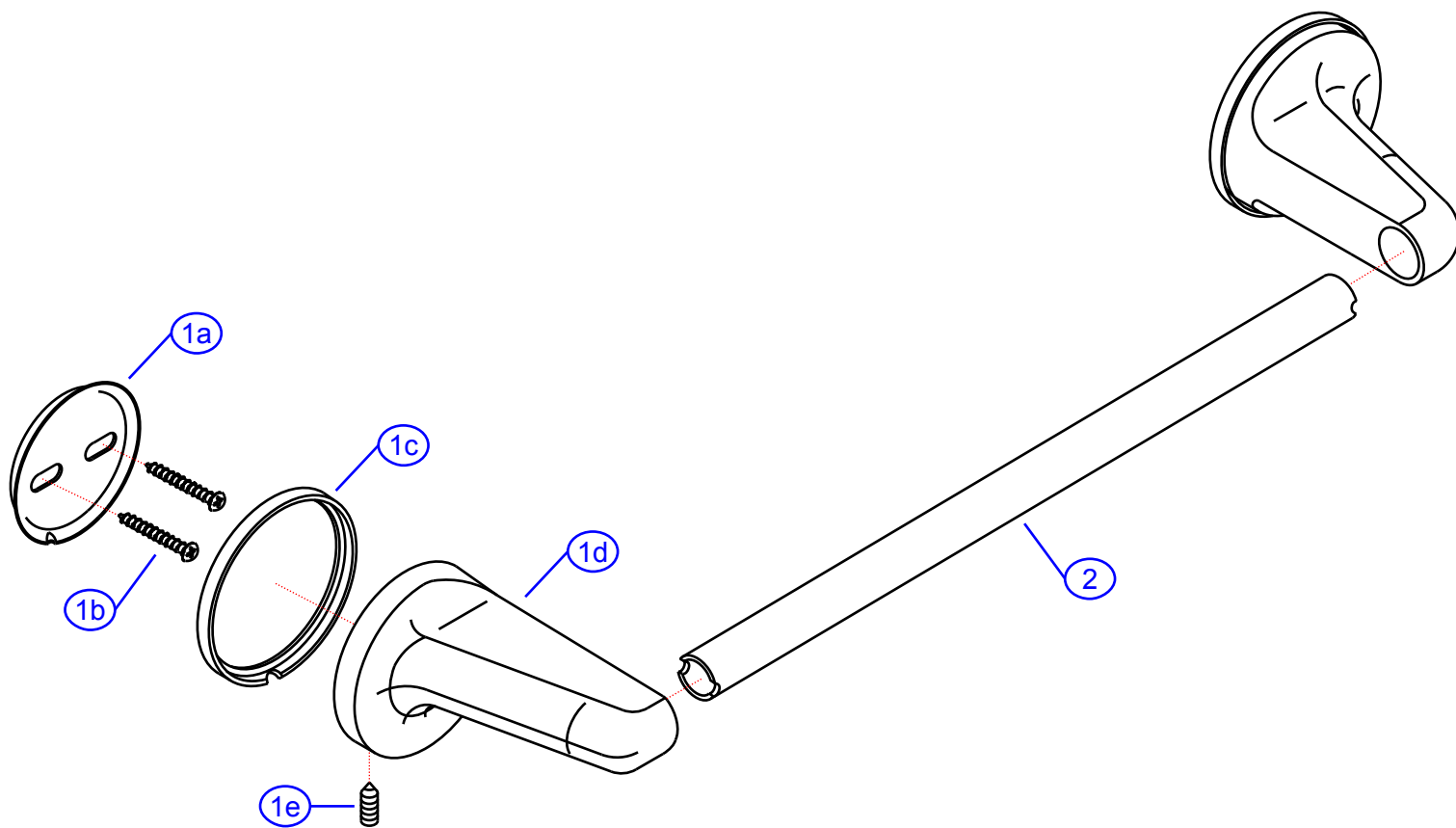
130-1325-xx

by Associated Marketing Concepts
www.ambassadormarine.com
(800) 270-4262

Ambassador

MARINE

| | | | | | |
|----------|----|---------------|-------------------|---------|---------------------------|
| Rev # | A | Package Style | OEM | Model # | 130-1325-xx |
| Vendor # | | | | Series | Estancia / Pacifica |
| Drawn By | SS | | N/A | Type | 18" Towel Bar w/ Post Set |
| | | | Approved/Modified | | 12/8/17 |



NOT DRAWN TO SCALE

130-1325-xx

Estancia / Pacifica
 18" Towel Bar w/ Post Set
 Rev. A



| # | Description | Part # | Finish Code Suffix (i.e. EA-123456CP) | | | | | | Qty |
|----|--|-------------|--|----|----|--|--|--|-----|
| | | | CP | CG | CY | | | | |
| 1 | Estancia / Pacifica Towel Bar / TP Holder Post Set | 130-1306-__ | CP | CG | CY | | | | 1 |
| 1a | Bracket | E-293002 | Zn | Zn | Zn | | | | 2 |
| 1b | Wall Screws | E-075022 | | | | | | | 4 |
| 1c | Base Trim Ring | E-243002 | CP | GP | YP | | | | 2 |
| 1d | Body (left) | E-240192H* | CP | CP | CP | | | | 1 |
| | Body (right) | E-240192C* | CP | CP | CP | | | | 1 |
| 1e | Set Screw | E-075039 | | | | | | | 2 |
| 2 | 18" Towel Bar (19mm) | 130-0003-__ | CP | CP | CP | | | | 1 |
| | | | | | | | | | |
| | | | | | | | | | |
| | | | | | | | | | |
| | | | | | | | | | |
| | | | | | | | | | |
| | | | | | | | | | |
| | | | | | | | | | |
| | | | | | | | | | |
| | | | | | | | | | |
| | | | | | | | | | |
| | | | | | | | | | |
| | | | | | | | | | |
| | | | | | | | | | |
| | | | | | | | | | |
| | | | | | | | | | |
| | | | | | | | | | |
| | | | | | | | | | |
| | | | | | | | | | |
| | | | | | | | | | |
| | | | | | | | | | |
| | | | | | | | | | |
| | | | | | | | | | |
| | | | | | | | | | |
| | | | | | | | | | |
| | | | | | | | | | |
| | | | | | | | | | |
| | | | | | | | | | |
| | | | | | | | | | |
| | | | | | | | | | |
| | | | | | | | | | |
| | | | | | | | | | |
| | | | | | | | | | |
| | | | | | | | | | |
| | | | | | | | | | |
| | | | | | | | | | |
| | | | | | | | | | |
| | | | | | | | | | |
| | | | | | | | | | |
| | | | | | | | | | |
| | | | | | | | | | |
| | | | | | | | | | |
| | | | | | | | | | |
| | | | | | | | | | |
| | | | | | | | | | |
| | | | | | | | | | |
| | | | | | | | | | |
| | | | | | | | | | |
| | | | | | | | | | |
| | | | | | | | | | |
| | | | | | | | | | |
| | | | | | | | | | |

* - Part is not available individually. "Assembled" item is required.