

REV. CHANGE

- A Ambassador Branded
- B Cup/Dish Ring Change

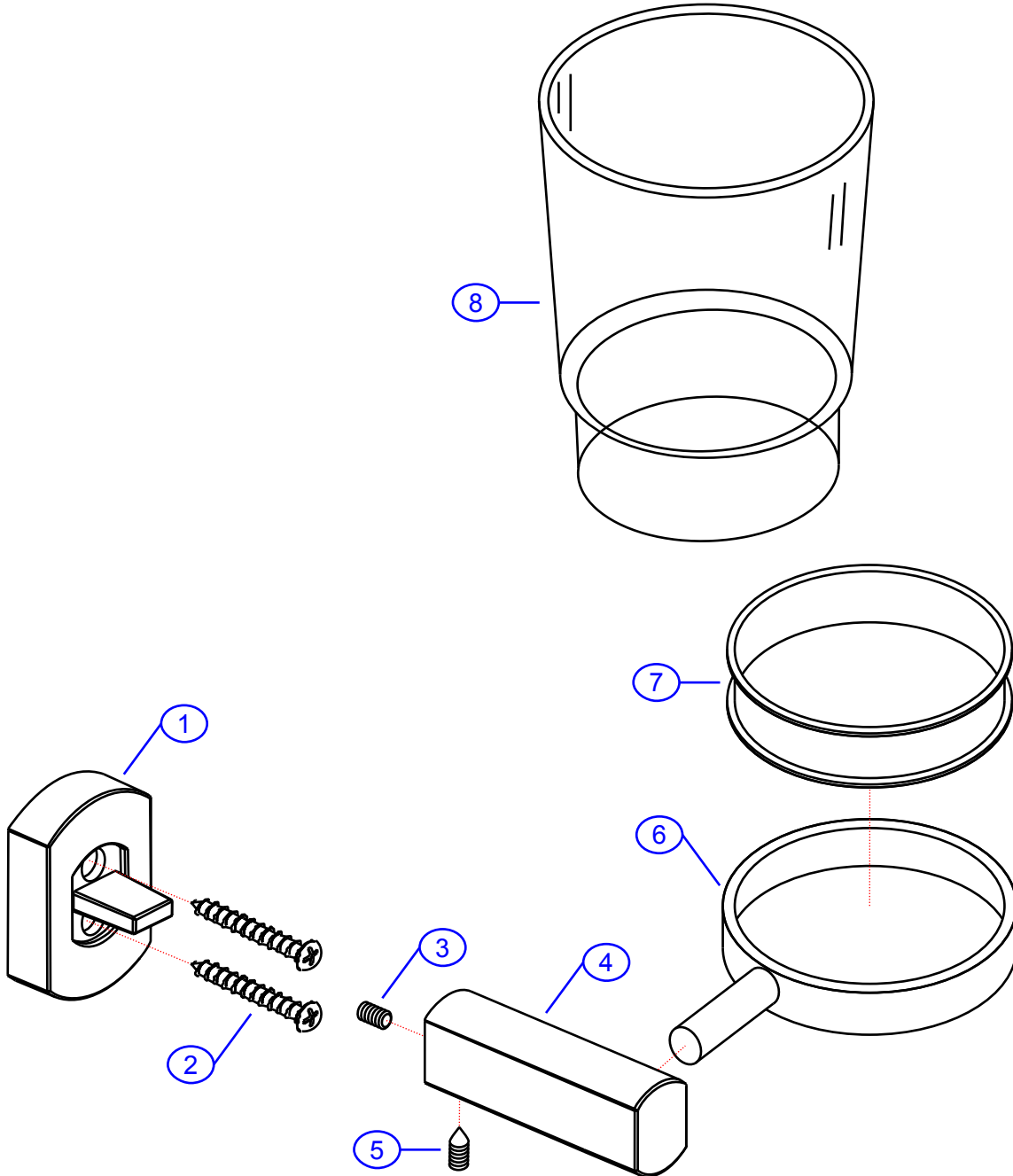
130-1808-xx

www.ambassadormarine.com  
800.270.4262

© Ambassador Marine, Inc.

**Ambassador**  
MARINE

Rev #	B	Package Style	OEM	Model #	130-1808-xx
ERP #	G71227xx	Series	Miah	Type	Cup Holder
Drawn By	SS	Approved/Modified	12/18/2024		



NOT DRAWN TO SCALE

