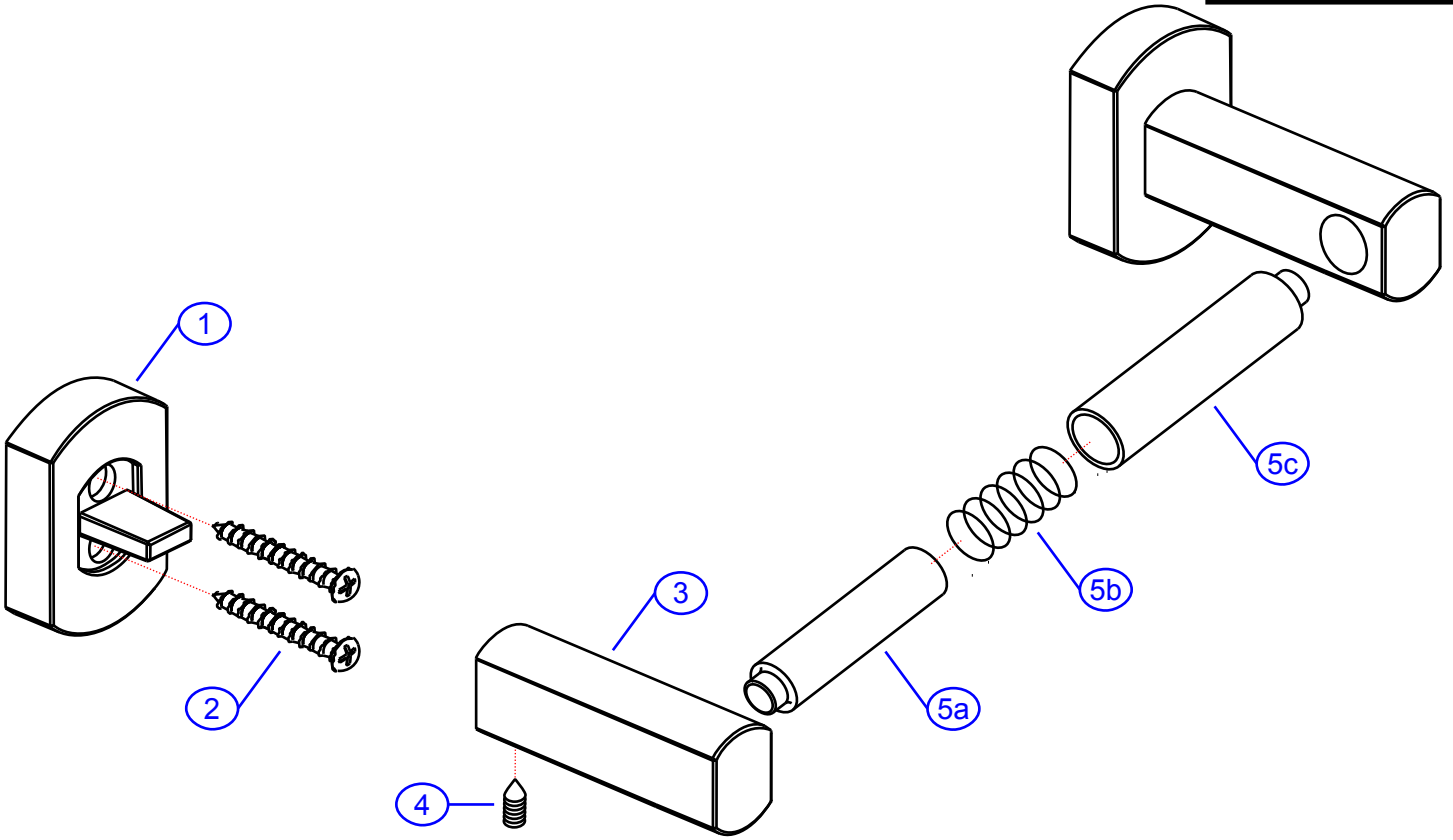


REV. CHANGE	
A	Ambassador Branded

130-1826-xx

www.ambassadormarine.com 800.270.4262		© Ambassador Marine, Inc.	
Rev #	A	Model #	130-1826-xx
ERP #	G43104xx	Package Style	OEM
Drawn By	SS	Series	Miah
		Approved/Modified	06/14/2019
		Type	Double Post T.P. Holder



NOT DRAWN TO SCALE

