

REV. CHANGE	
A	Ambassador Branded

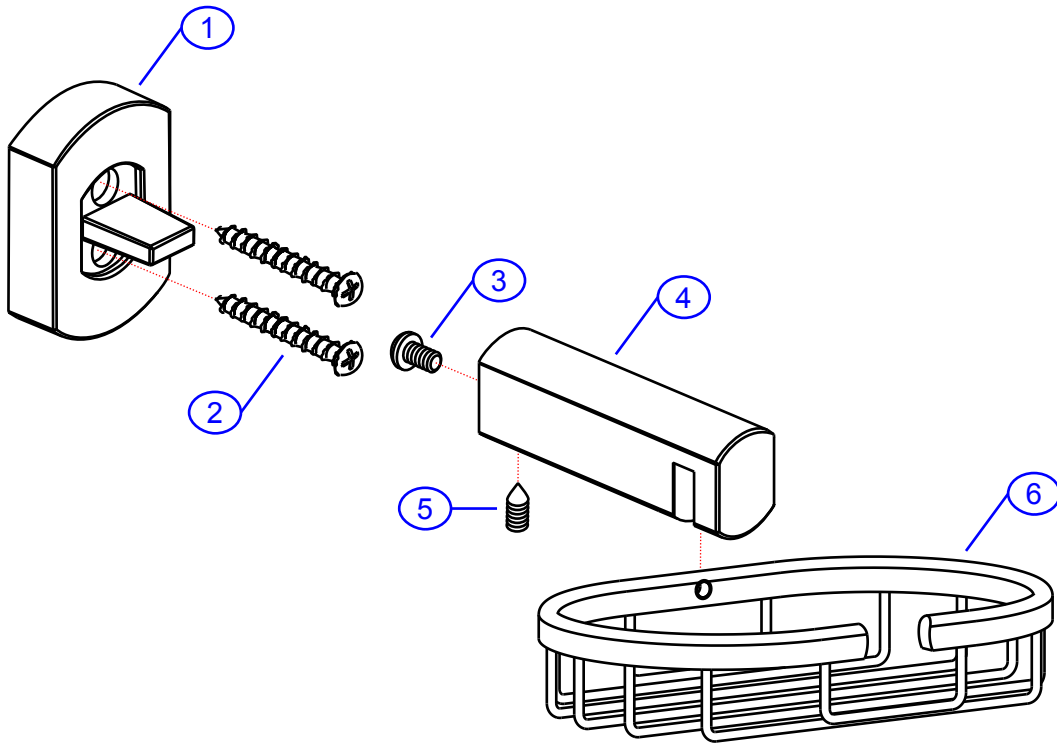
130-1839-xx

www.ambassadormarine.com
800.270.4262

© Ambassador Marine, Inc.

Ambassador
MARINE

Rev #	A	Package Style	OEM	Model #	130-1839-xx
ERP #	1306207xx	Approved/Modified	09/19/2023	Series	Miah
Drawn By	SS	Type	Soap Basket		



NOT DRAWN TO SCALE

