

REV. CHANGE	
A	Ambassador Branded

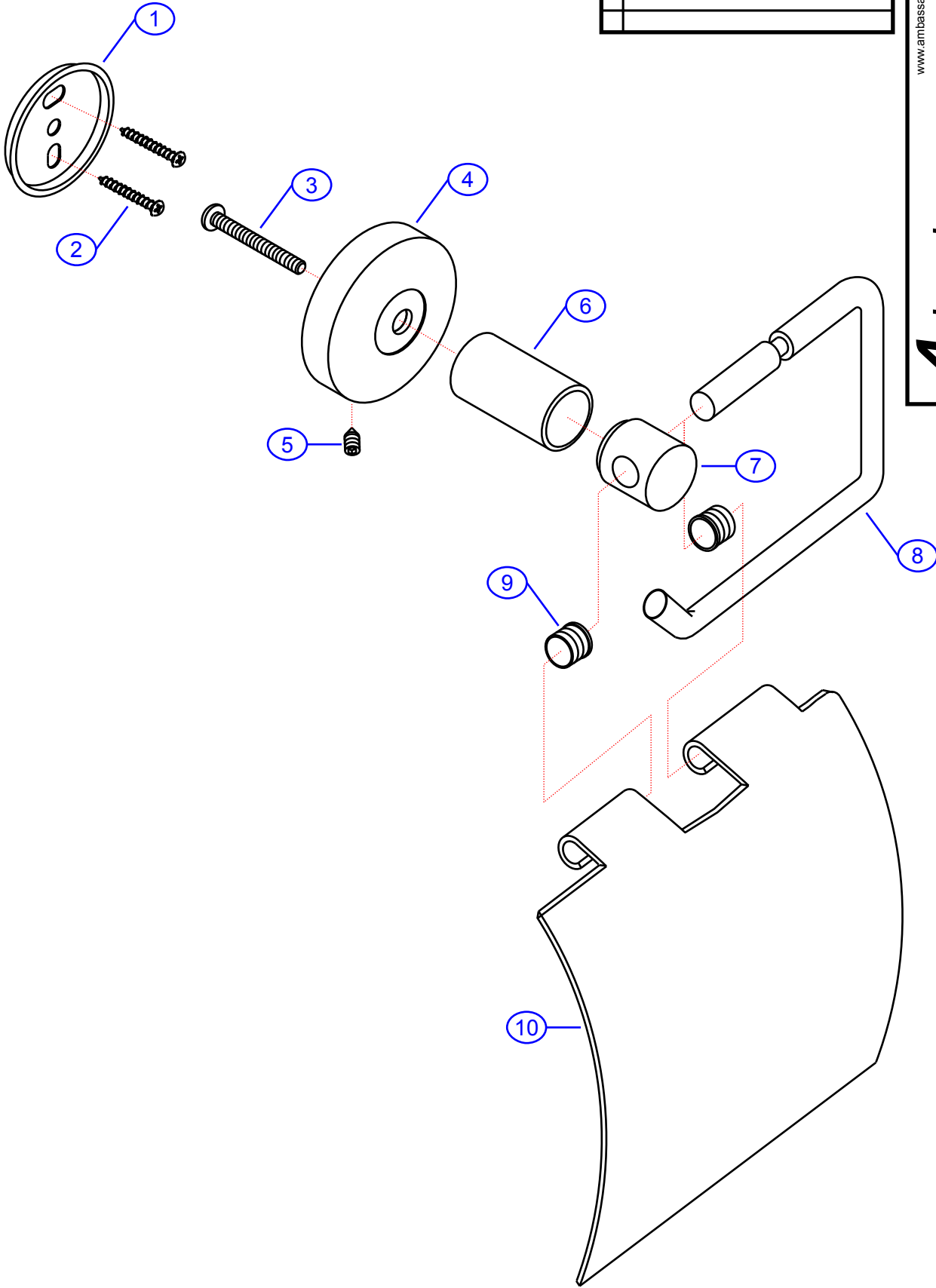
130-1901-xx

www.ambassadormarine.com
800.270.4262

© Ambassador Marine, Inc.

Ambassador
MARINE

Rev #	A	Package Style	OEM	Model #	130-1901-xx
ERP #	G43106xx	Series	Elina	Type	Single Post T.P. Holder
Drawn By	SS	Approved/Modified	05/24/2019		



NOT DRAWN TO SCALE

130-1901-xx



Elina
Single Post T.P. Holder
Rev. A

(800) 270-4262
www.ambassadormarine.com

#	Description	Qty	Part #	Finish Code Suffix (i.e. EA-123456CP)				Material
				CP	NP			
1	Mounting Bracket	1	L-J507008604					SUS201
2	Mounting Screw	2	L-J501070425					SUS304
3	Assembly Screw	1	L-J501010550					SUS304
4	Base	1	L-J302860101*	CP	NP			Brass
5	Set Screw	1	L-J501050510					SUS304
6	Body	1	L-J3021445040*	CP	NP			Brass
7	Head	1	L-J302860910*	CP	NP			Brass
8	Paper Holder	1	L-J307000809*	CP	NP			SUS201
9	Paper Holder Sleeve	2	L-J505000809*					PE
10	Lid	1	L-J301008612*	CP	NP			SUS304

* - Part is not available individually. "Assembled" item is required.