

| REV. CHANGE | |
|-------------|--------------------|
| A | Ambassador Branded |
| | |
| | |
| | |
| | |
| | |
| | |
| | |
| | |

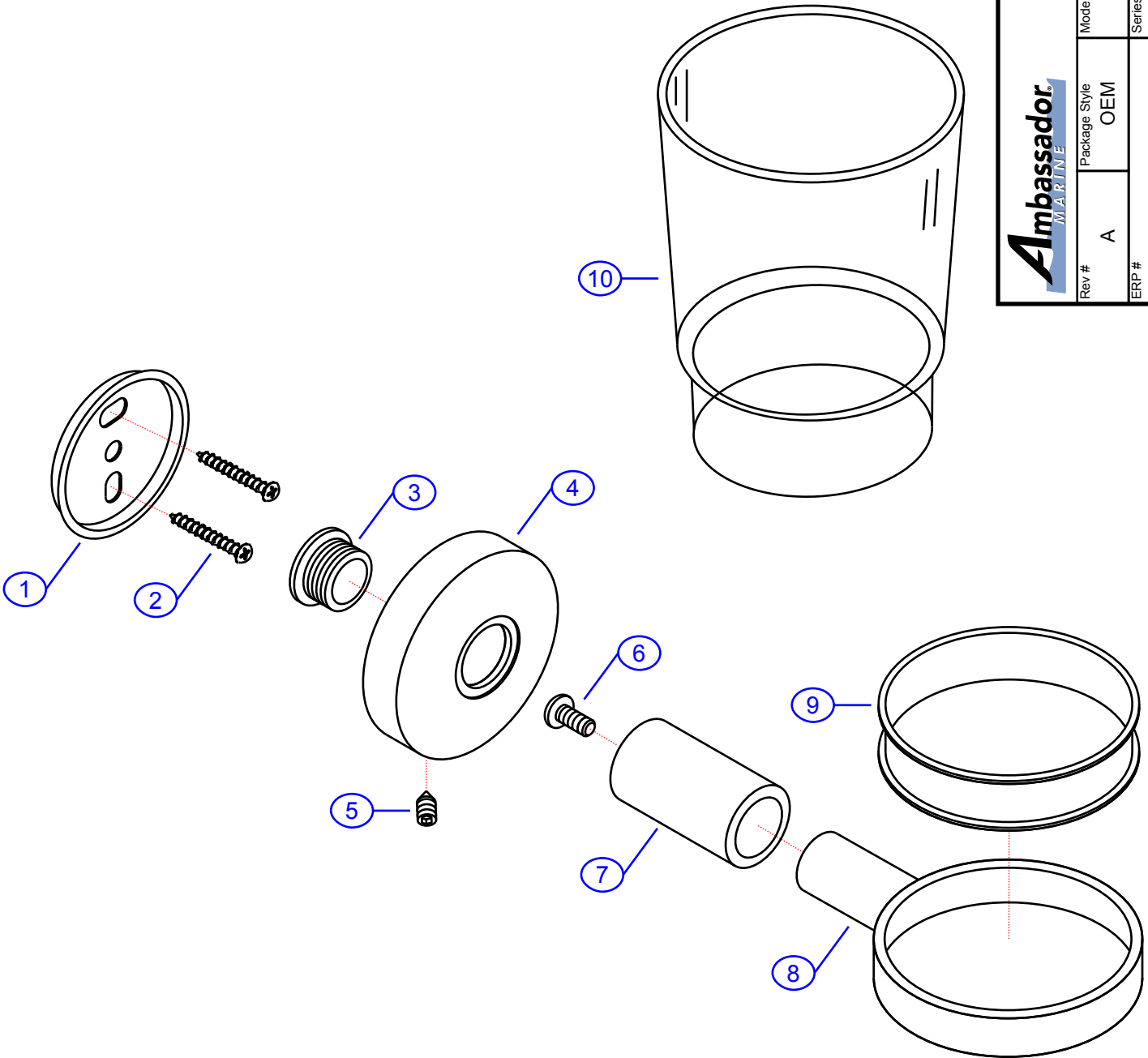
130-1908-xx

www.ambassadormarine.com
800.270.4262

© Ambassador Marine, Inc.

Ambassador
MARINE

| | | | | | |
|----------|----------|-------------------|------------|---------|--------------------|
| Rev # | A | Package Style | OEM | Model # | 130-1908-xx |
| ERP # | G71228xx | Series | Elina | | |
| Drawn By | SS | Approved/Modified | 11/14/2019 | Type | Cup Holder |



NOT DRAWN TO SCALE

