

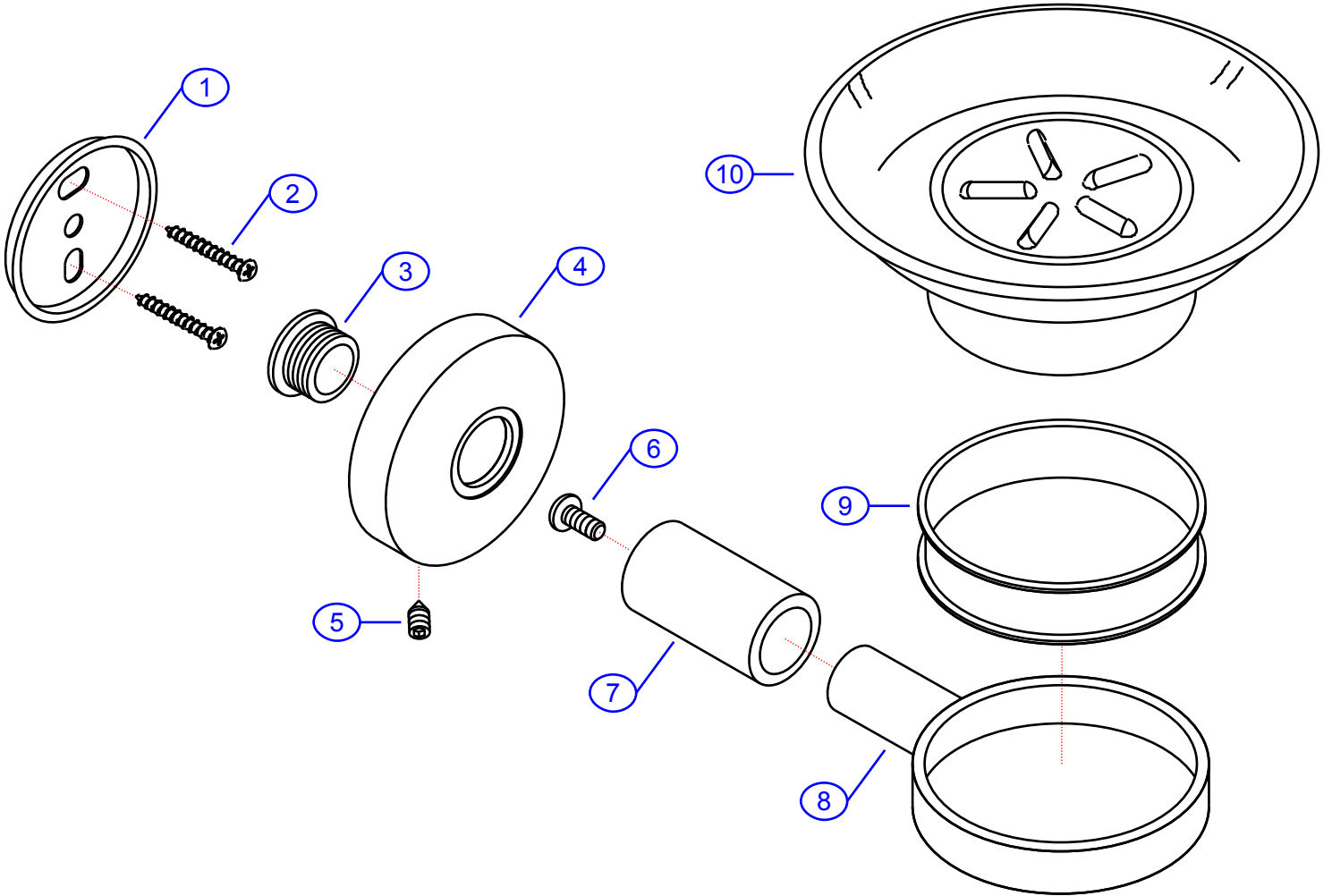
REV. CHANGE	
A	Ambassador Branded

**130-1909-xx**

www.ambassadormarine.com  
800.270.4262

© Ambassador Marine, Inc.

Rev #	A	Package Style	OEM	Model #	<b>130-1909-xx</b>
ERP #			N/A	Series	Elina
Drawn By	SS	Approved/Modified	11/14/2019	Type	Soap Dish



NOT DRAWN TO SCALE

