

REV. CHANGE	
A	Ambassador Branded

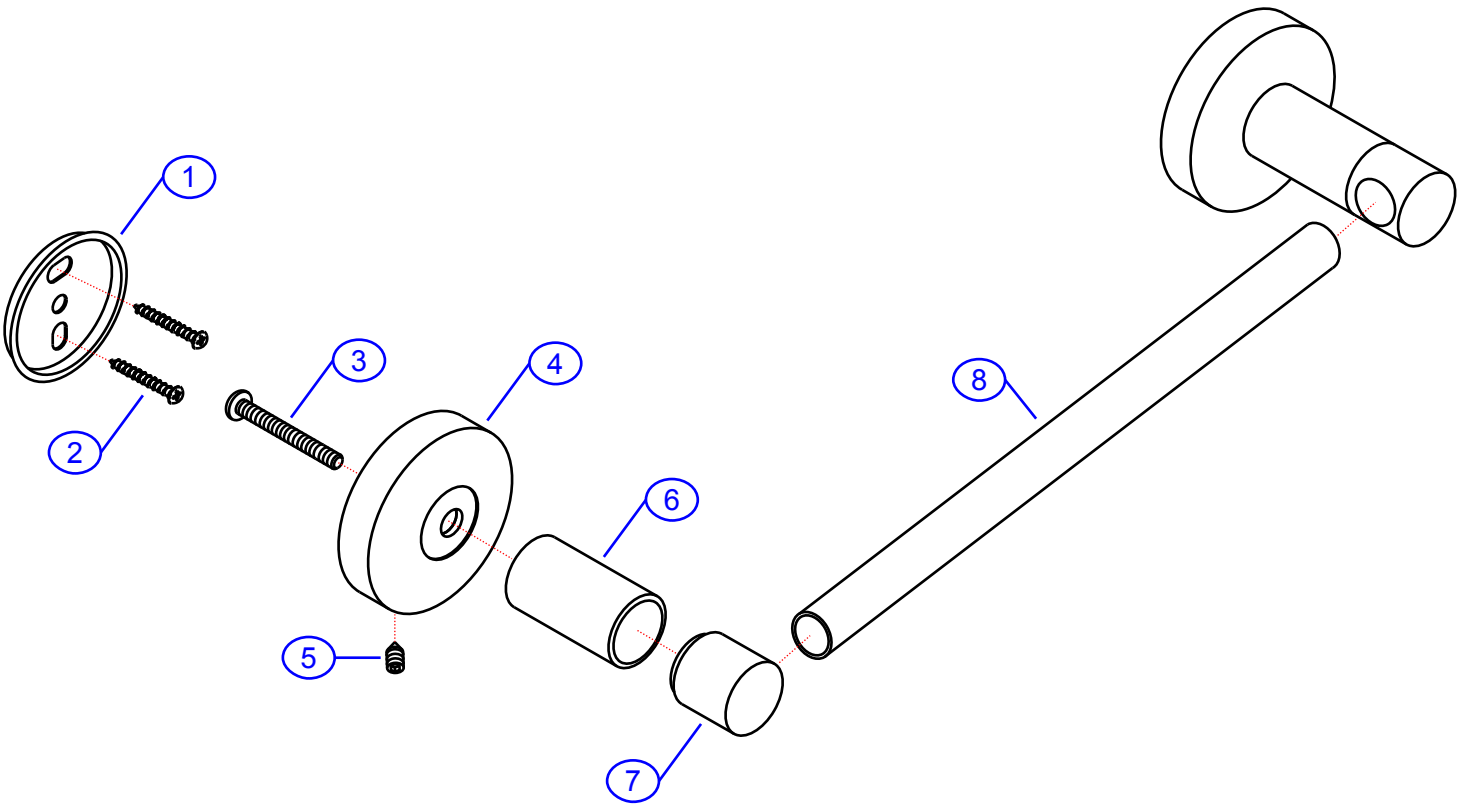
130-1938-xx

www.ambassadormarine.com
800.270.4262

© Ambassador Marine, Inc.

Ambassador
MARINE

Rev #	A	Package Style	OEM	Model #	130-1938-xx
ERP #			G21308xx	Series	Elina
Drawn By	SS	Approved/Modified	05/24/2019	Type	24" Towel Bar



NOT DRAWN TO SCALE

130-1938-xx

Elina
 24" Towel Bar
 Rev. A



(800) 270-4262
 www.ambassadormarine.com

#	Description	Qty	Part #	Finish Code Suffix					Material
				(i.e. EA-123456CP)					
				CP	NP				
1	Mounting Bracket	2	L-J507008604						SUS201
2	Mounting Screw	4	L-J501070425						SUS304
3	Assembly Screw	2	L-J501010550						SUS304
4	Base	2	L-J302860101*	CP	NP				Brass
5	Set Screw	2	L-J501050510						SUS304
6	Body	2	L-J3021445040*	CP	NP				Brass
7	Head	2	L-J302861110*	CP	NP				Brass
8	24" Bar	1	L-J3021445575*	CP	NP				SUS201

* - Part is not available individually. "Assembled" item is required.