

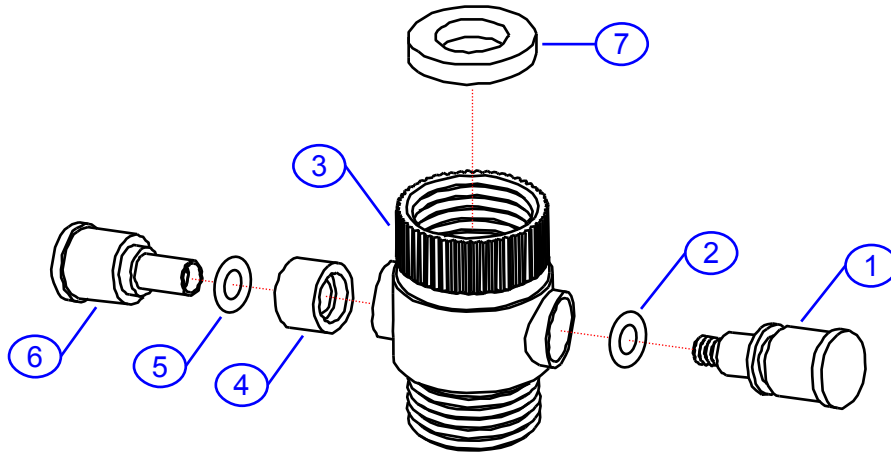
Rev. Change	
A	SHURflo branded
B	Ambassador branded
C	
D	

**131-0013-xx**

by Associated Marketing Concepts  
www.ambassadormarine.com  
(800) 270-4262

**Ambassador**  
MARINE

Rev #	B	Package Style	Aftermarket	Model #	<b>131-0013-xx</b>
Vendor #	A663301xx-ASB8	Series	Universal		
Drawn By	SS	Approved/Modified	5/17/12	Type	Stand-By Switch (Std. 1/2")



NOT DRAWN TO SCALE

