

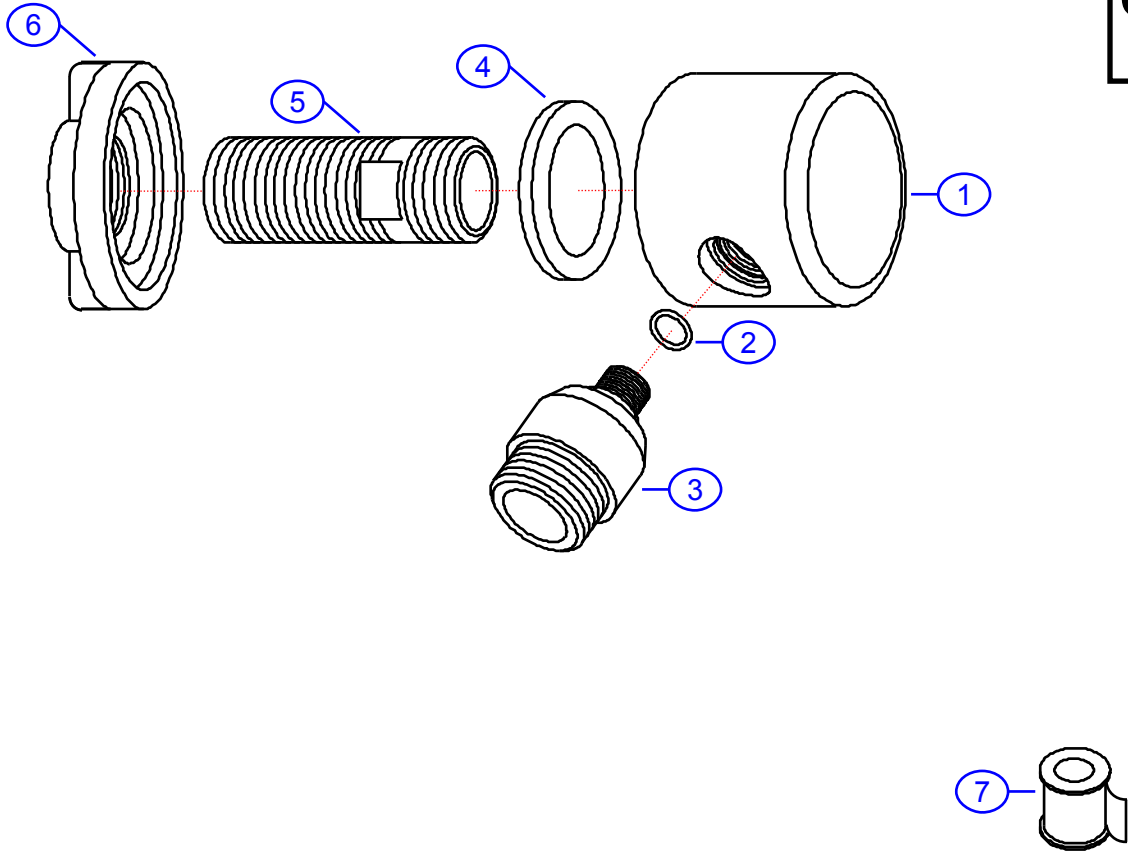
Rev. Change	
A	SHURflo branded
B	Ambassador branded
C	
D	

131-0015-xx

by Associated Marketing Concepts
 www.ambassadormarine.com
 (800) 270-4262



Rev #	B	Package Style	Aftermarket	Model #	131-0015-xx
Vendor #	A664124xx-ASB6	Series	Universal		
Drawn By	SS	Approved/Modified	5/14/12	Type	90 Degree Elbow



NOT DRAWN TO SCALE

