

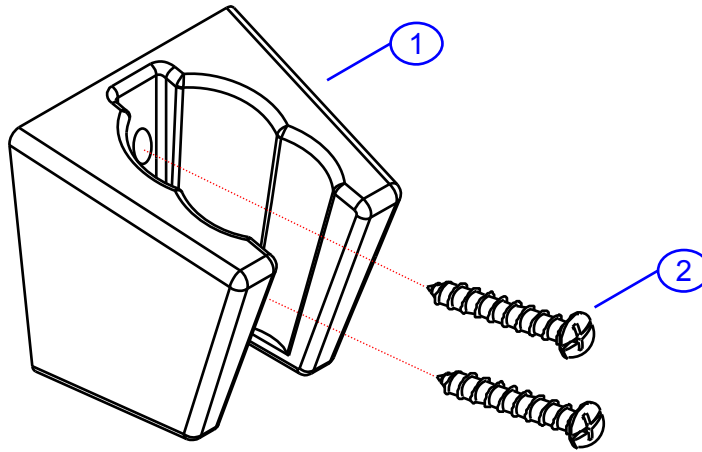
Rev. Change	
A	Ambassador branded
B	
C	
D	

131-0042-xx

by Associated Marketing Concepts
 www.ambassadormarine.com
 (800) 270-4262

Ambassador
 MARINE

Rev #	A	Package Style	Aftermarket	Model #	131-0042-xx
Vendor #	A117233xx-ASB6	Series	Universal	Type	Bulkhead Holder (2-Position-Std. 1/2")
Drawn By	SS	Approved/Modified	03/28/13		



NOT DRAWN TO SCALE

