

REV. CHANGE	
A	Ambassador Branded
B	Refreshed

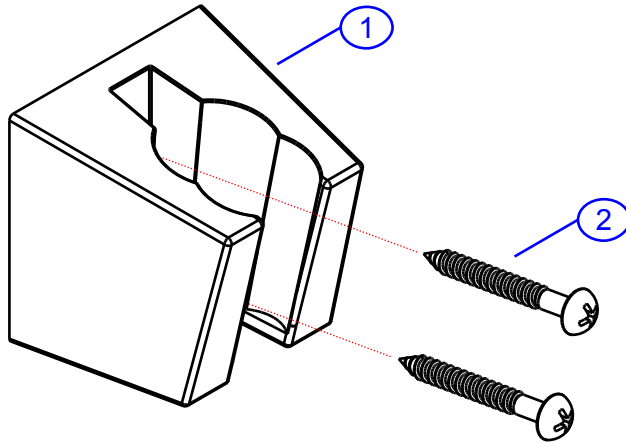
**131-0042-xx**

www.ambassadormarine.com  
800.270.4262

© Ambassador Marine, Inc.

**Ambassador**  
MARINE

Rev #	B	Package Style	Aftermarket	Model #	<b>131-0042-xx</b>
ERP #			131-0042-xx	Series	Universal
Drawn By	SS	Approved/Modified	08/04/2019	Type	Bulkhead Holder (2-Position-Std. 1/2")



NOT DRAWN TO SCALE

**131-0042-xx**

Universal

Bulkhead Holder (2-Position-Std. 1/2")

Rev. B



(800) 270-4262

www.ambassadormarine.com

#	Description	Qty	Part #	Finish Code Suffix (i.e. EA-123456CP)				Material
				CP	NP			
1	Holder (2-Position, Standard 1/2" Hose)	1	L-SH4004*	CP	NP			ABS
2	Mounting Screw	2	L-SH4001					SUS304

\* - Part is not available individually. "Assembled" item is required.