

Rev. Change

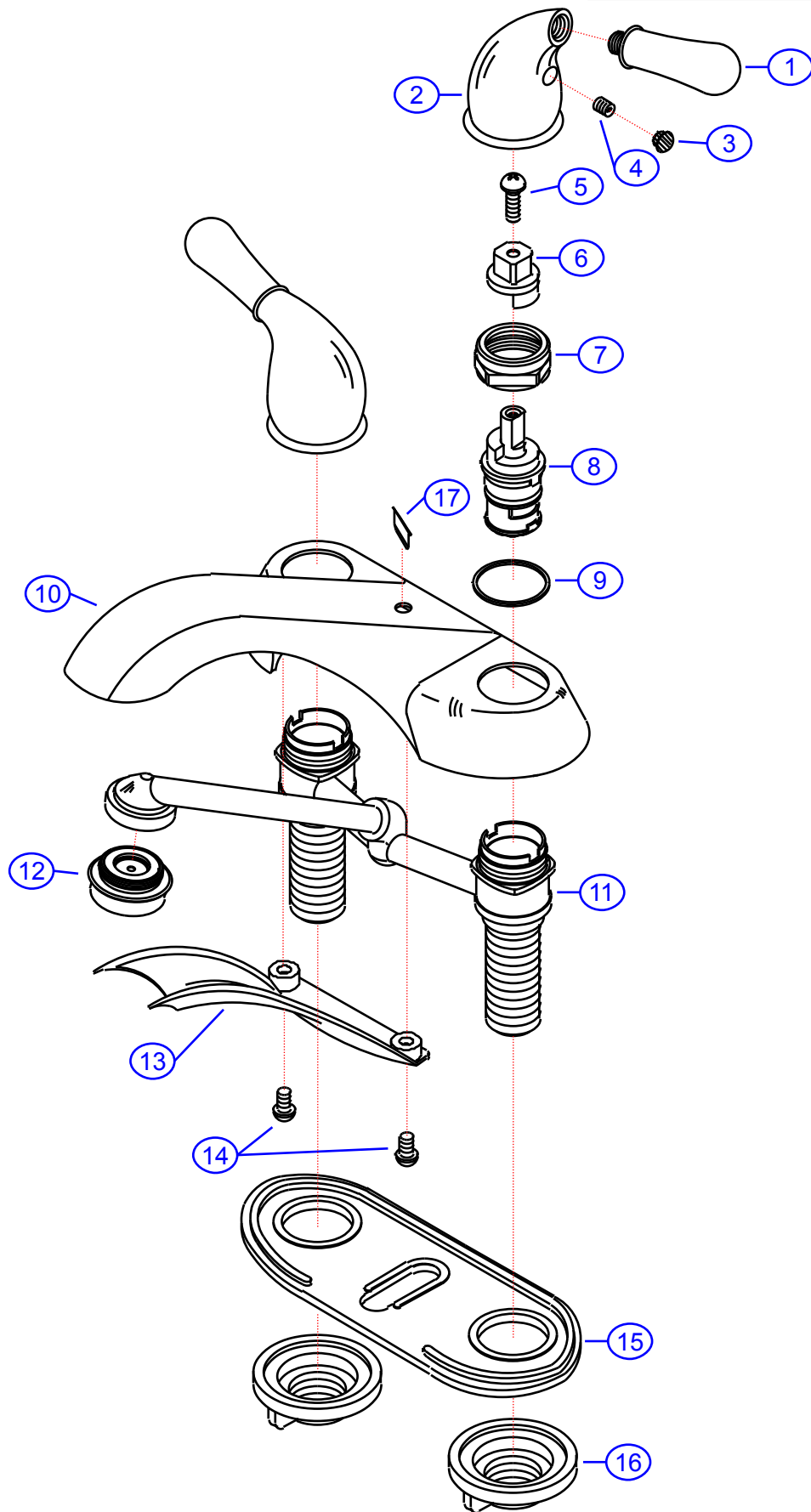
A	Original
B	2-Part Handles
C	
D	

132-1213-xx

SHURflo Marine Grade Faucets
5900 Katella Ave., Cypress, CA 90630
800.854.3218 • 562.795.5200 • Fax 562.795.7564
www.shurflo.com



Rev #	B	Package Style	OEM	Model #	132-1213-xx
Vendor #	F40C5000xx-ASJ8	Series	Estancia		
Drawn By	SS	Approved/Modified	12/29/05	4" Center Set Faucet	



NOT DRAWN TO SCALE

132-1213-xx

Estancia
4" Center Set Head Faucet
Rev. B



#	Description	Part #	Finish						Qty
			CG	CP					
1	Estancia Handle Tip	E-108041	GP	CP					2
2	Estancia Canopy	E-018052	CP	CP					2
3	Red Plug	E-028046H							1
	Blue Plug	E-028046C							1
4	Set Screw	E-008003							2
5	Screw	E-008044	CP	CP					2
6	Adapter (Hot)	E-110114H							1
	Adapter (Cold)	E-110114C							1
7	Retainer Nut	E-016002	CP	CP					2
8	Ceramic Disk Cartridge (Hot)	E-507003NH							1
	Ceramic Disk Cartridge (Cold)	E-507003NC							1
9	Packing Ring	E-200013							2
10	Cover Plate	E-007034	CP	CP					1
11	Valve Body	E-044281N							1
12	Aerator	E-500219N	GP	CP					1
13	Bottom Plate	E-223007	CP	CP					1
14	Screw	E-008017	CP	CP					2
15	Gasket	E-011038							1
16	Mounting Nut	E-009007							2
17	Lift-Rod Hole Plug	E-028205	GR	GR					1

* - Part is not available individually. "Assembled" item is required.
 ** - Assembly is in-stock at SHURflo and must be shipped directly from SHURflo's distribution center.

**Prepared Exclusively For
SHURflo Marine Grade Faucets**