

132-2009-xx

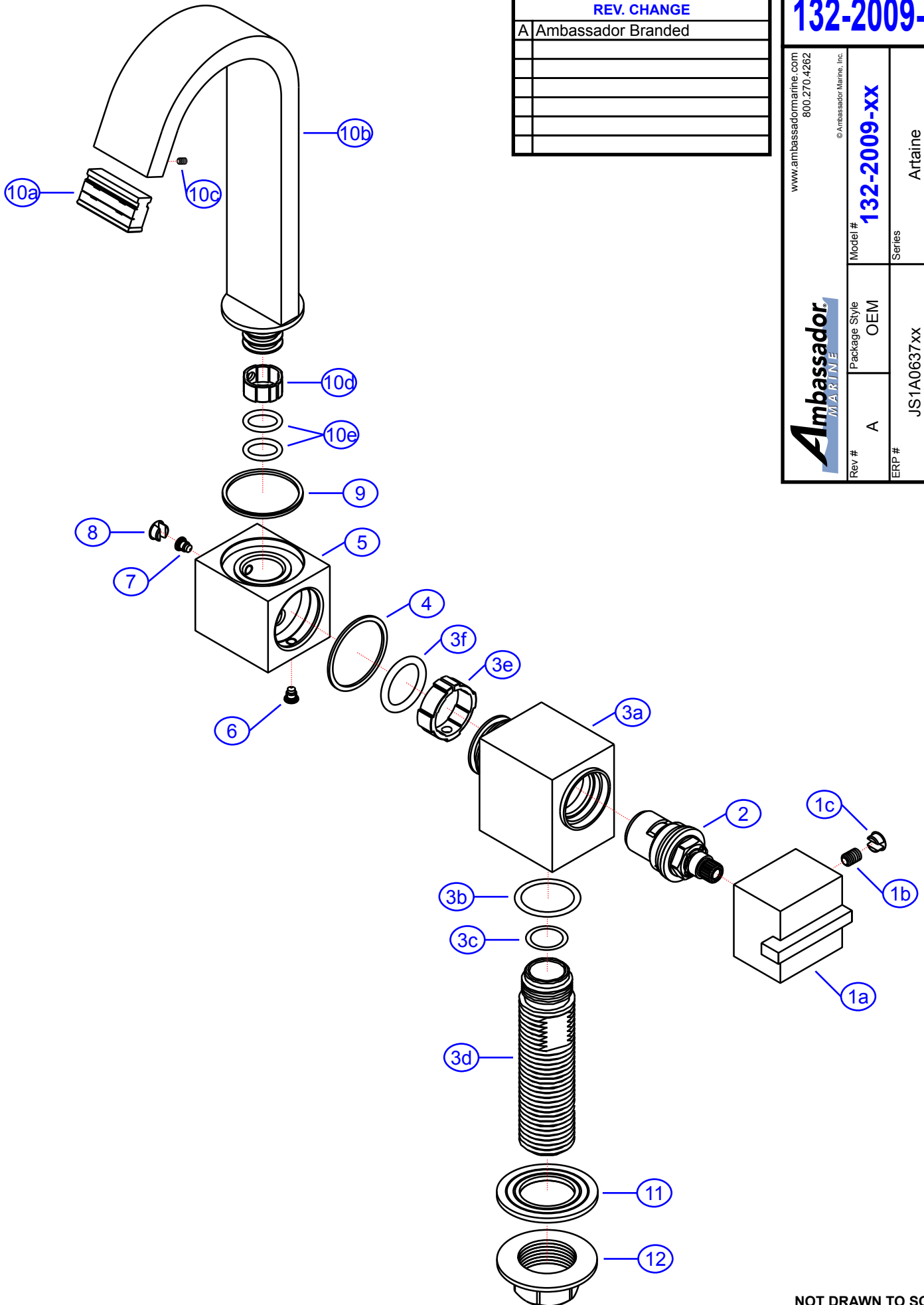
www.ambassadormarine.com
800.270.4262

© Ambassador Marine, Inc.

Ambassador MARINE

Rev #	A	Package Style	OEM	Model #	132-2009-xx
ERP #	JS1A0637xx	Series	Artaine	Type	Elite Folding Tap ("J")
Drawn By	SS	Approved/Modified	01/16/2024		

REV. CHANGE
A Ambassador Branded



NOT DRAWN TO SCALE

