

133-0208-xx

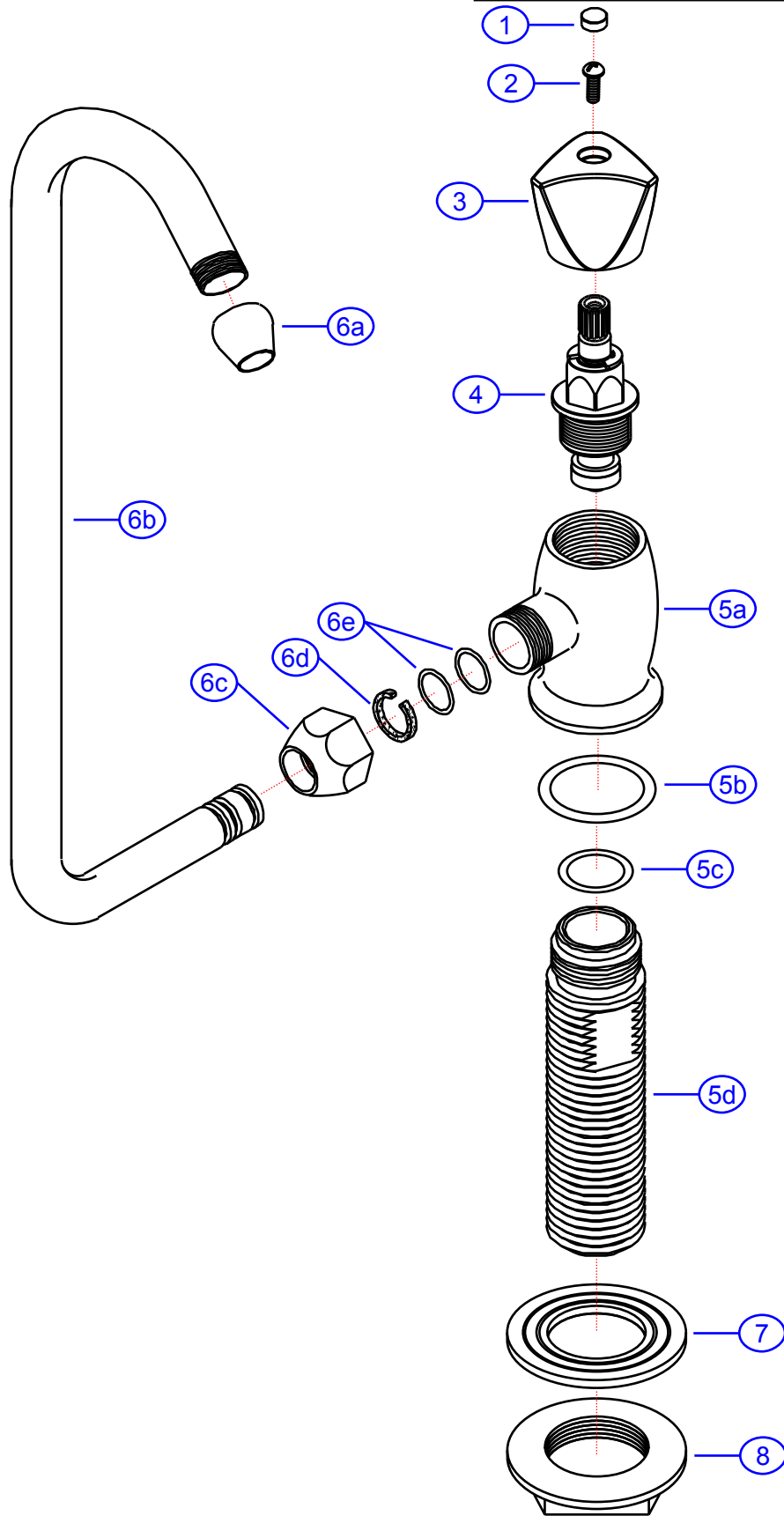
www.ambassadormarine.com
800.270.4262

© Ambassador Marine, Inc.

Ambassador
MARINE

Rev #	D	Package Style	Aftermarket	Model #	133-0208-xx
ERP #	JUAH0060xx	Series	Trinidad	Type	Folding Tap
Drawn By	SS	Approved/Modified	04/11/2019		

REV. CHANGE	
A	SHURflo Branded
B	Add 1" To Mounting Shaft
C	Ambassador Branded
D	Refreshed



NOT DRAWN TO SCALE

