

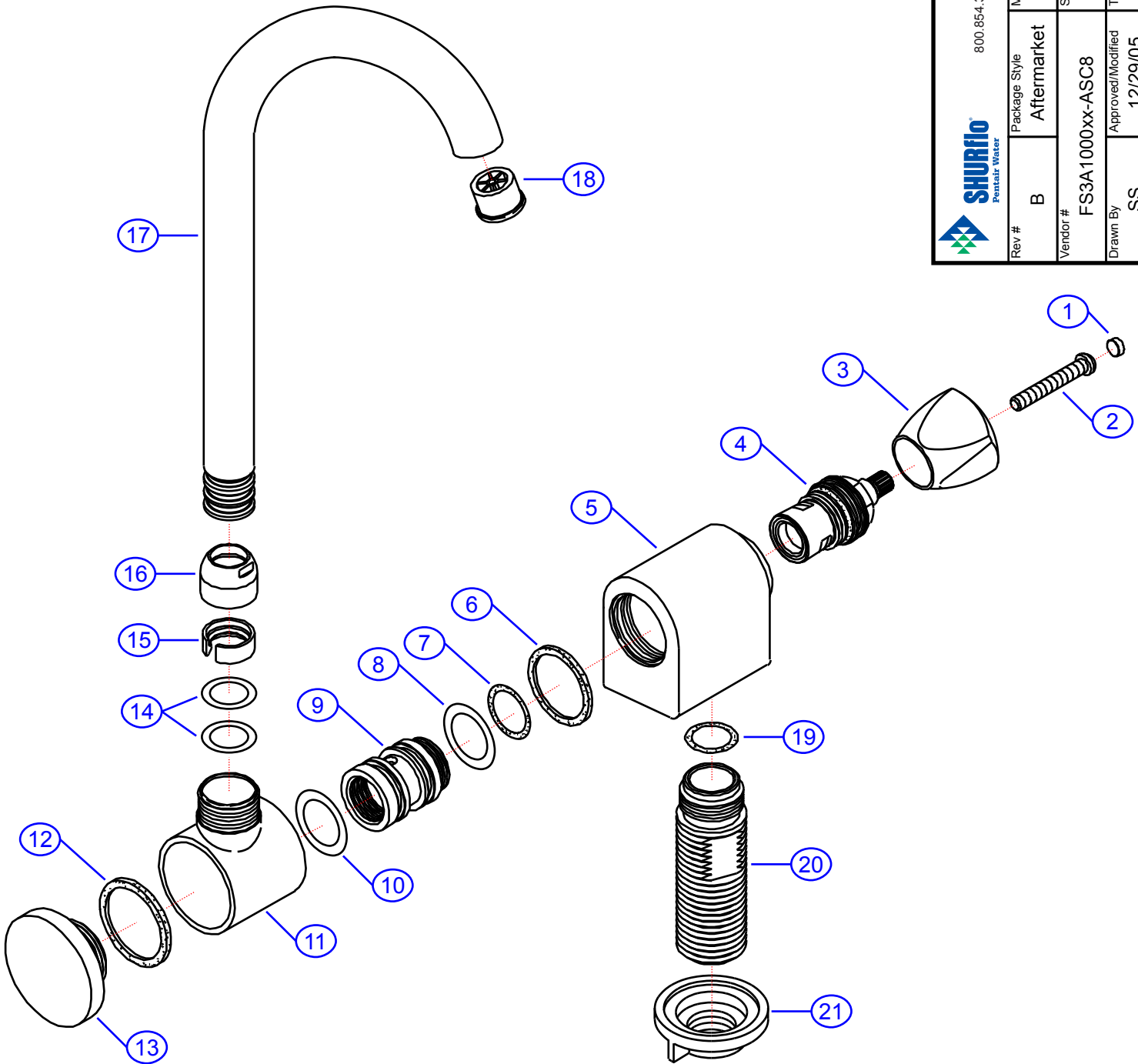
Rev. Change	
A	Original
B	No BOM Change
C	
D	

133-0209-xx

SHURflo Marine Grade Faucets
 5900 Katella Ave., Cypress, CA 90630
 800.854.3218 • 562.795.5200 • Fax 562.795.7564
 www.shurflo.com



Rev #	B	Package Style	Aftermarket	Model #	133-0209-xx
Vendor #	FS3A1000xx-ASC8	Approved/Modified	12/29/05	Series	Trinidad
Drawn By	SS	Elite Folding Tap			



NOT DRAWN TO SCALE

