

Rev. Change

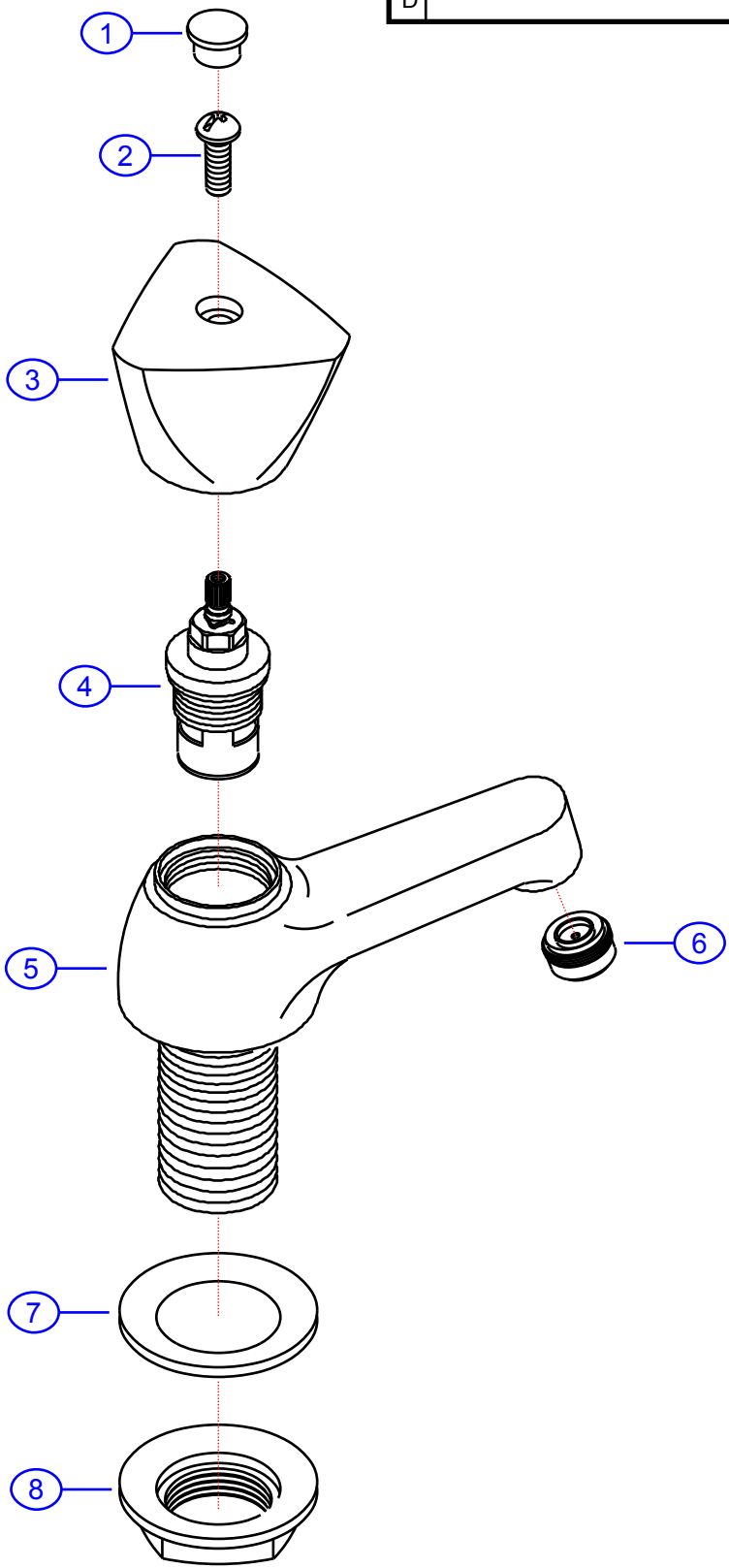
A	Original
B	
C	
D	

133-0211-xx

SHURflo Marine Grade Faucets
5900 Katella Ave., Cypress, CA 90630
800.854.3218 • Fax 562.795.7564
www.shurflo.com



Rev #	A	Package Style	Aftermarket	Model #	133-0211-xx
Vendor #	FS0A1000xx-ASB8	Series	Trinidad		
Drawn By	SS	Approved/Modified	6/30/04	Type	Deck Tap



NOT DRAWN TO SCALE

