

Rev. Change

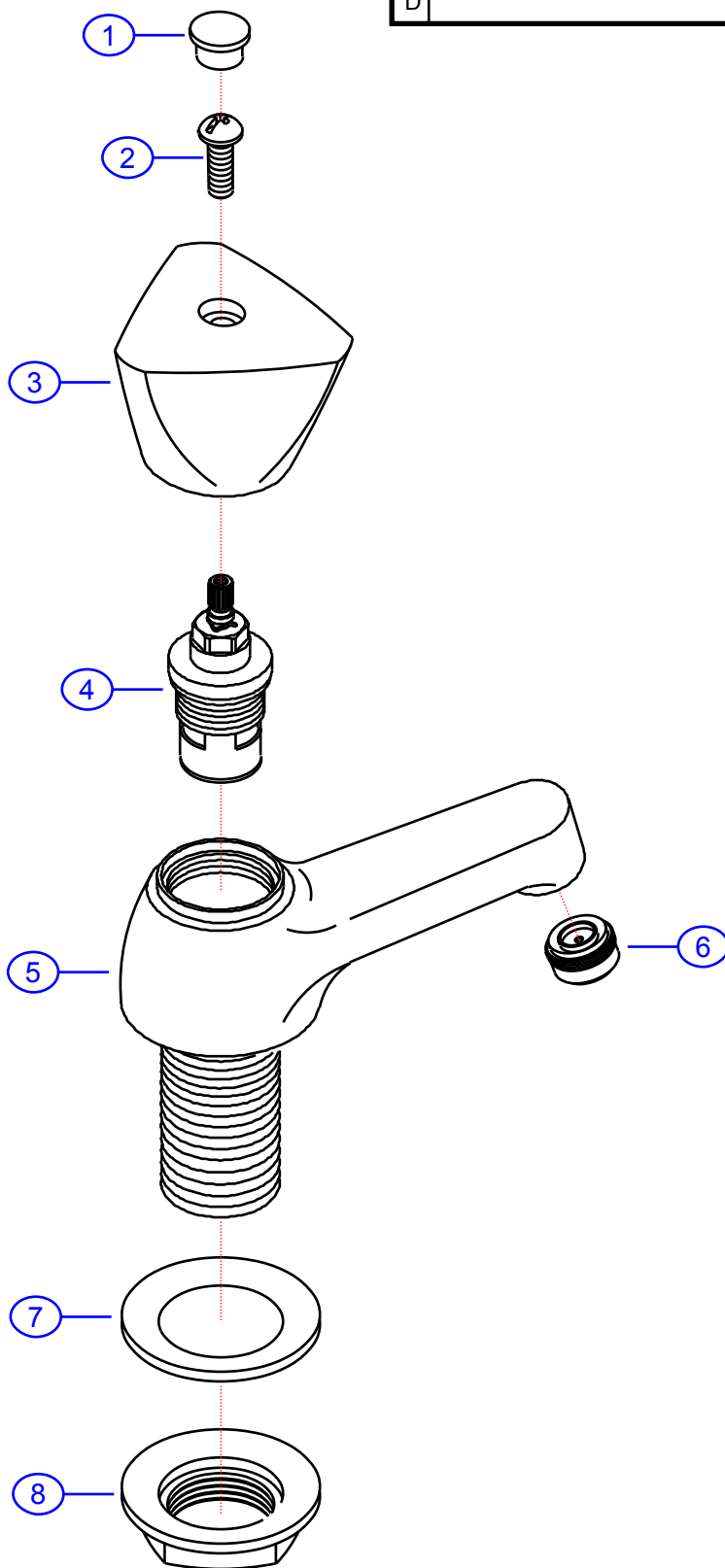
A	SHURflo branded
B	Ambassador branded
C	
D	

133-0211-xx

by Associated Marketing Concepts
www.ambassadormarine.com
(800) 270-4262

Ambassador
MARINE

Rev #	B	Package Style	Aftermarket	Model #	133-0211-xx
Vendor #	FS0A1000xx-ASB6	Series	Trinidad	Type	Deck Tap
Drawn By	SS	Approved/Modified	05/10/12		



NOT DRAWN TO SCALE

