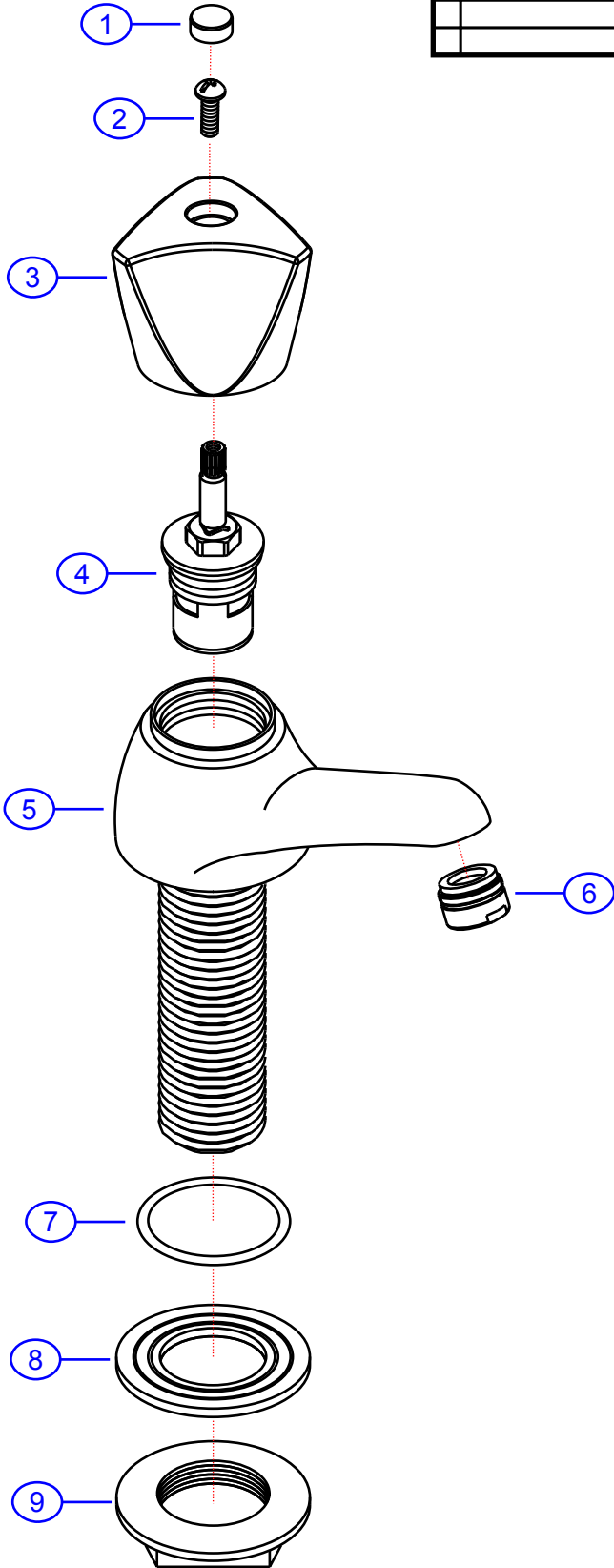


REV. CHANGE	
A	SHURflo Branded
B	Ambassador Branded
C	Refreshed



**133-0211-xx**

www.ambassadormarine.com  
800.270.4262

© Ambassador Marine, Inc.

**Ambassador**  
MARINE

Rev #	C	Package Style	Aftermarket	Model #	<b>133-0211-xx</b>
ERP #				Series	Trinidad
Drawn By	SS			Approved/Modified	03/23/2021
				Type	Deck Tap

NOT DRAWN TO SCALE

