

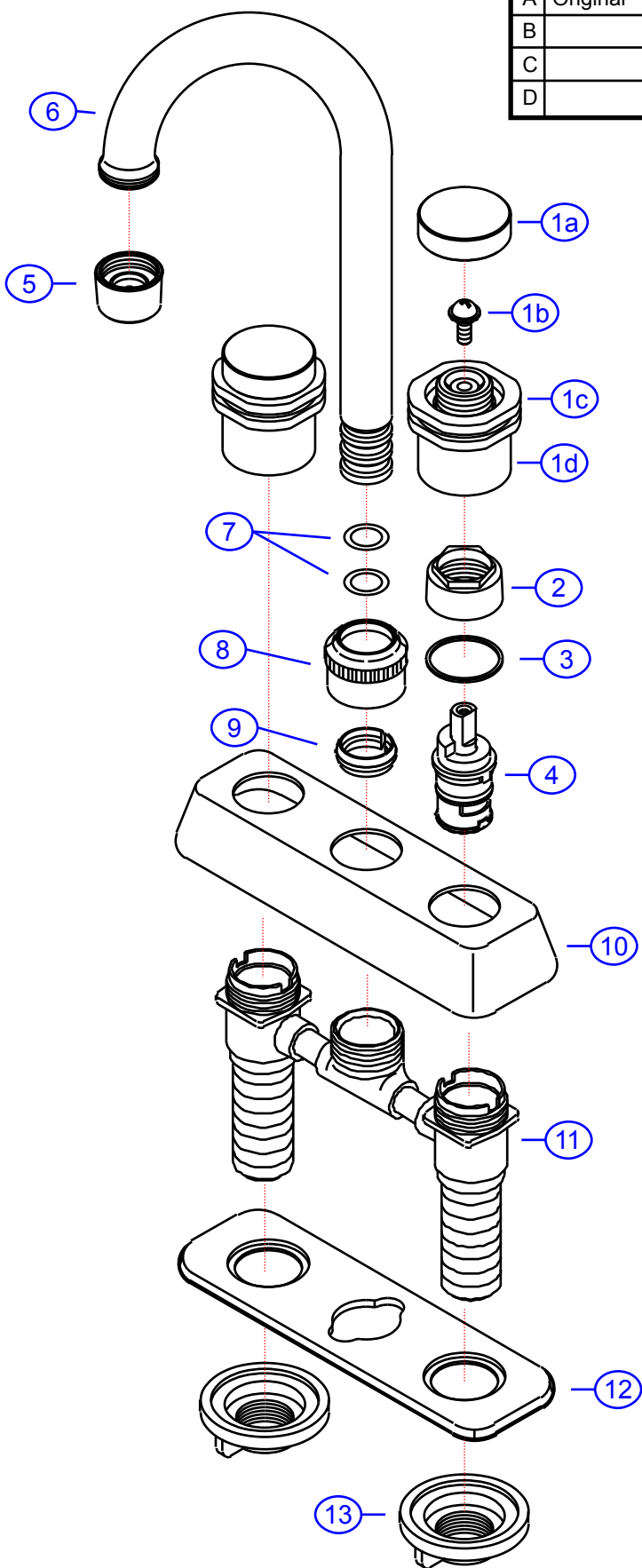
Rev. Change

A Original

B

C

D



133-0415-xx

SHURflo Marine Grade Faucets
5900 Katiella Ave., Cypress, CA 90630
800.854.3218 • 562.795.5200 • Fax 562.795.7564
www.shurflo.com



Rev #	A	Package Style	Aftermarket	Model #	133-0415-xx	
Vendor #	FB0A2001xx-ASC8	Series	Pisces	Approved/Modified	1/17/05	
Drawn By	SS	Type	Wet Bar Faucet			

NOT DRAWN TO SCALE

