

134-0003-xx

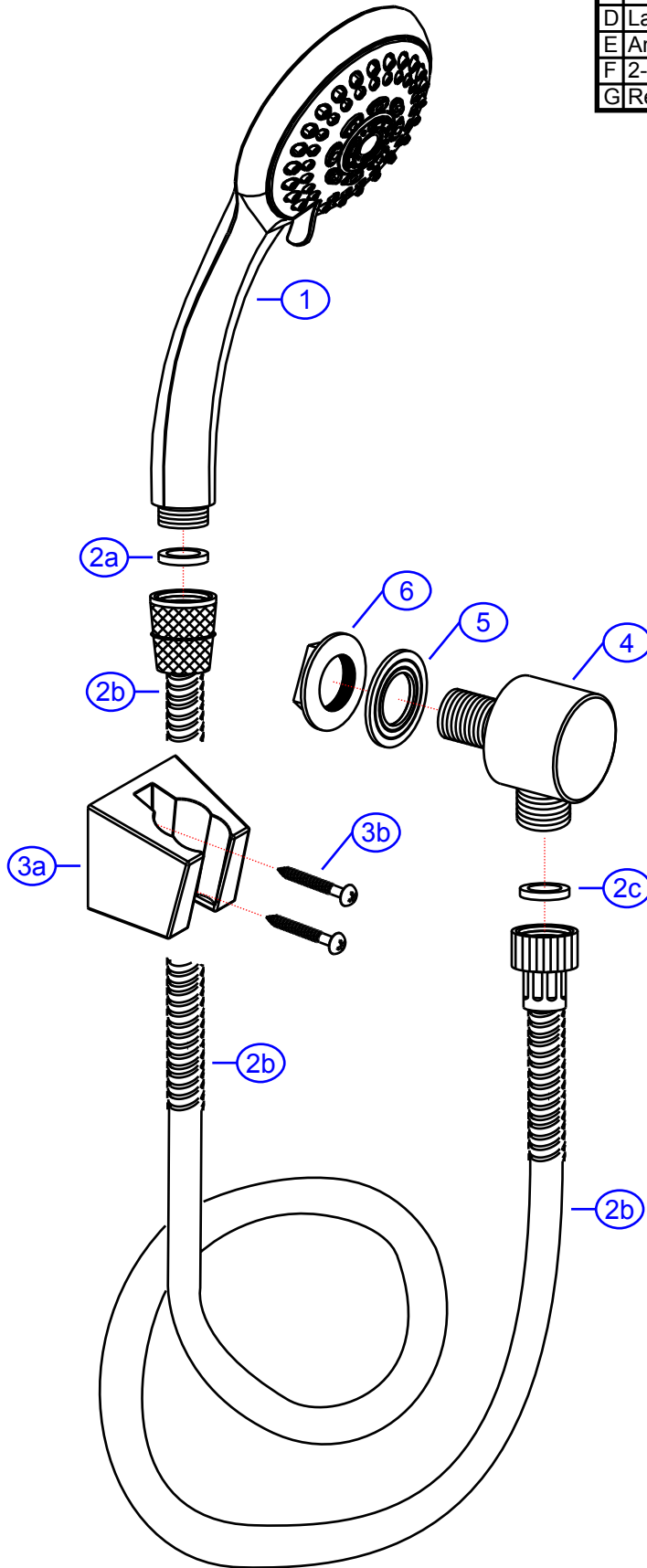
www.ambassadormarine.com
800.270.4262

© Ambassador Marine, Inc.

Ambassador MARINE

Rev #	G	Package Style	OEM	Model #	134-0003-xx
ERP #	220718HT	Series	Universal	Type	Hand-Held Shower
Drawn By	SS	Approved/Modified	08/03/2022		

REV. CHANGE	
A	SHURflo Branded
B	Metal (CP) Holder
C	New Sprayer
D	Larger Plastic (CP) Holder
E	Ambassador Branded
F	2-Position Holder
G	Refreshed



NOT DRAWN TO SCALE

