

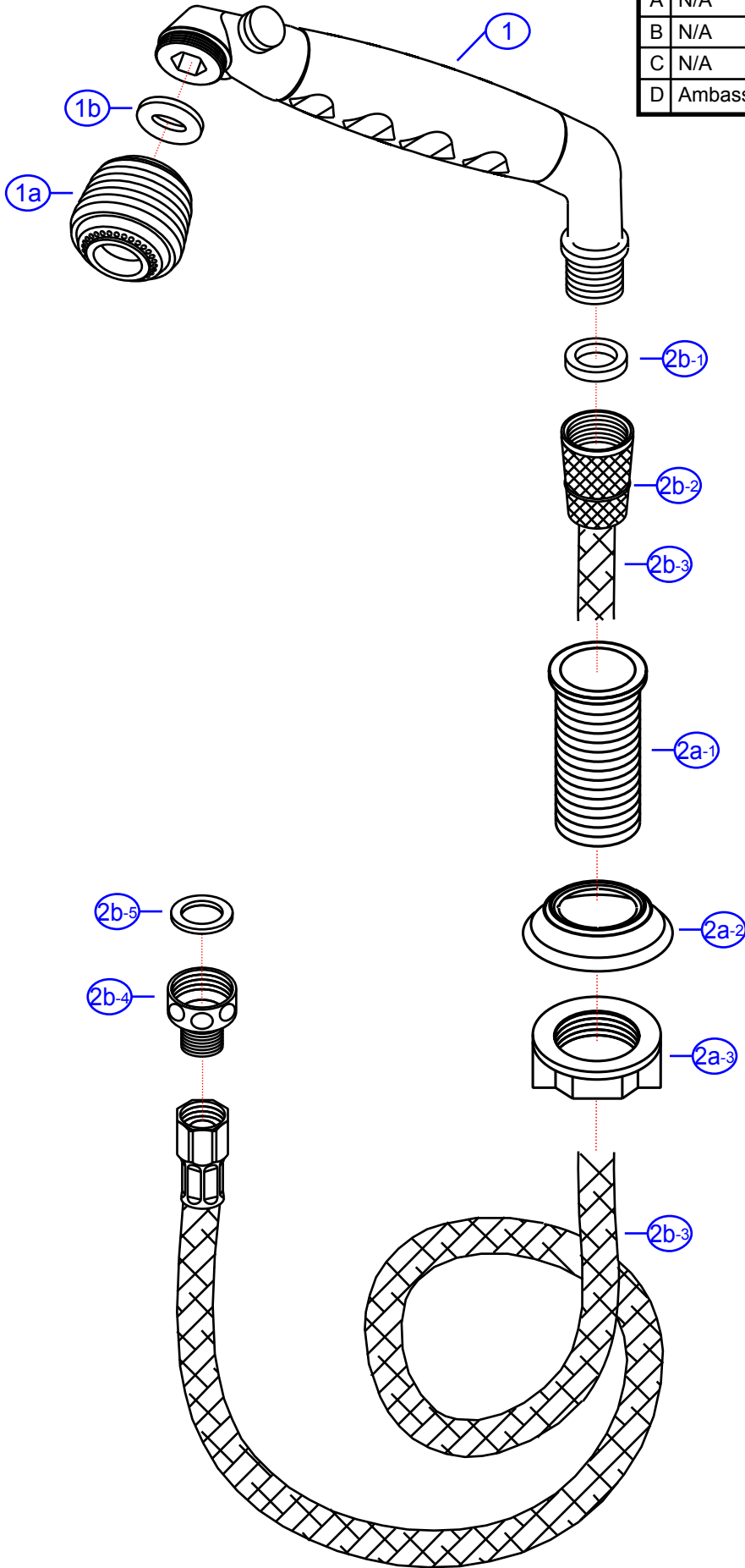
# 134-0035-xx

by Associated Marketing Concepts  
www.ambassadormarine.com  
(800) 270-4262

**Ambassador**  
MARINE

|          |    |                   |          |         |                        |
|----------|----|-------------------|----------|---------|------------------------|
| Rev #    | D  | Package Style     | OEM      | Model # | 134-0035-xx            |
| Vendor # |    |                   | N/A      | Series  | Universal              |
| Drawn By | SS | Approved/Modified | 03/29/13 | Type    | Deck Sprayer (Classic) |

| Rev. Change |                    |
|-------------|--------------------|
| A           | N/A                |
| B           | N/A                |
| C           | N/A                |
| D           | Ambassador branded |



NOT DRAWN TO SCALE

