

REV. CHANGE

A	Ambassador Branded
B	Hot & Cold Cartridges
C	2-Position Holder & 1" To Shafts
D	Refreshed

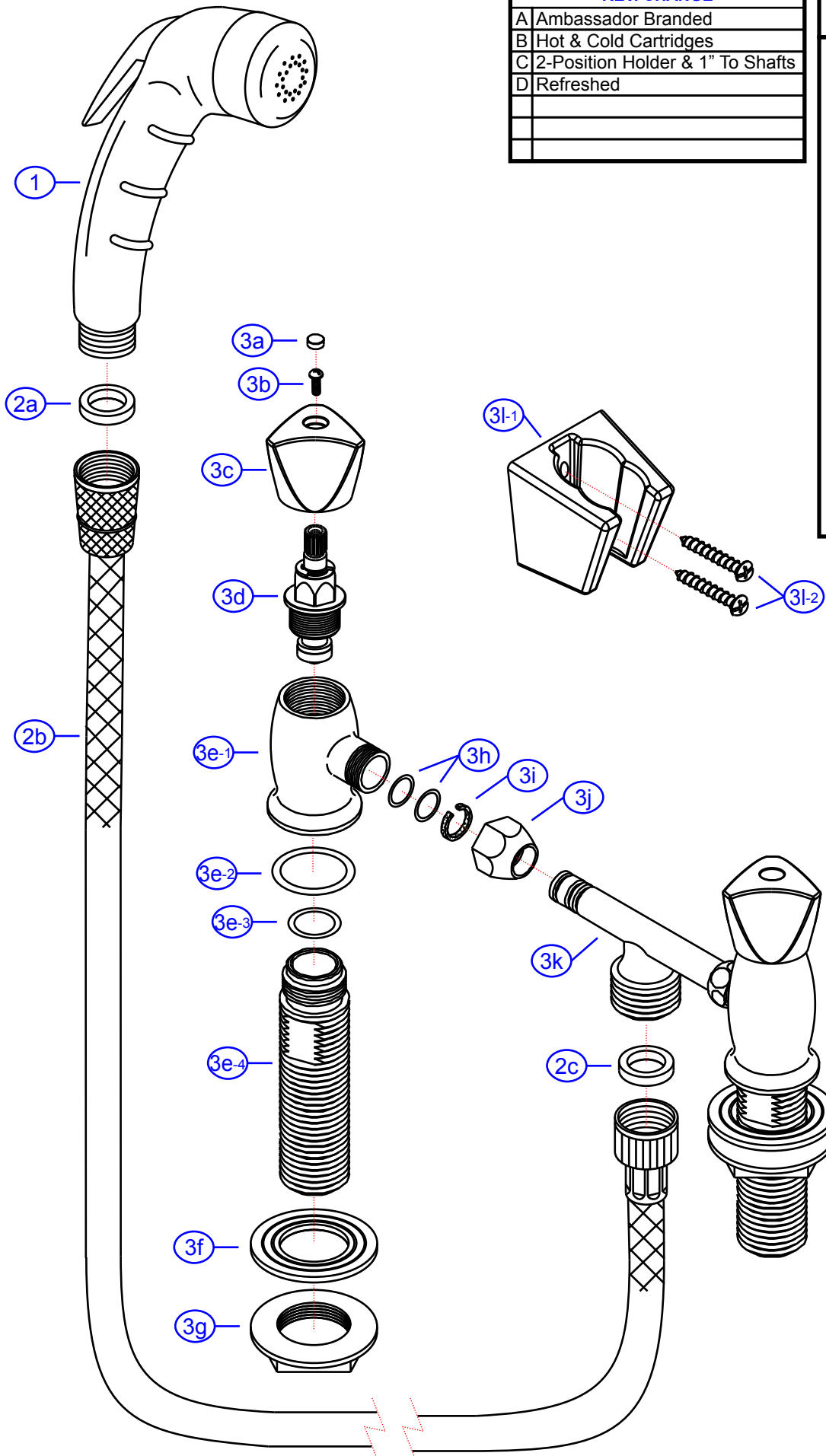
134-0217-xx

www.ambassadormarine.com
800.270.4262

© Ambassador Marine, Inc.

Ambassador
MARINE

Rev #	D	Package Style	OEM	Model #	134-0217-xx
ERP #	N/A	Approved/Modified	04/21/2023	Series	Trinidad
Drawn By	SS	Type	2H External Shower (Small Spray)		



NOT DRAWN TO SCALE

