

Rev. Change

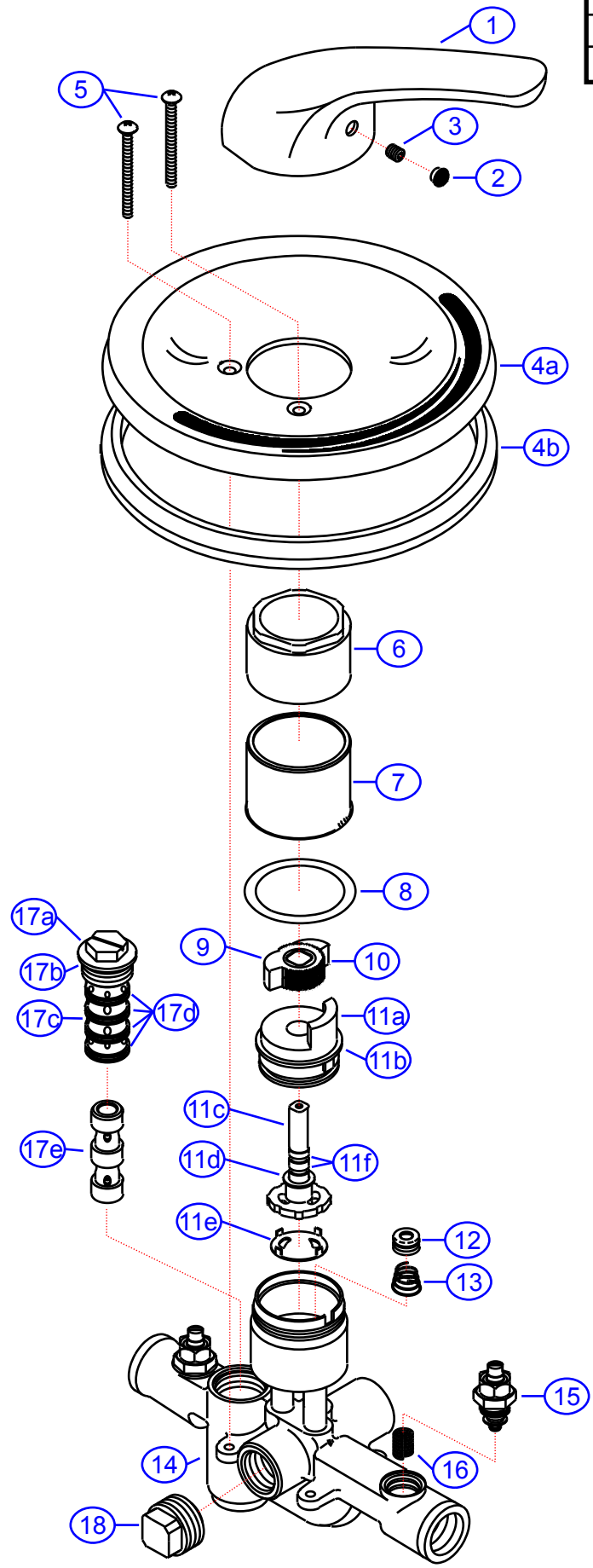
A	SHURflo branded
B	Eliminate Seat & Spring Housing
C	Ambassador branded
D	

# 134-0805-xx

by Associated Marketing Concepts  
 www.ambassadormarine.com  
 (800) 270-4262

**Ambassador**  
 MARINE

Rev #	C	Package Style	OEM	Model #	<b>134-0805-xx</b>
Vendor #	A661325xx-ASJ6	Approved/Modified	01/11/12	Series	Pacifica
Drawn By	SS	Type	Shower Mixer (Pres. Bal.)		



NOT DRAWN TO SCALE

134-0805-xx

Pacifica  
Shower Mixer (Pressure Balanced)  
Rev. C



#	Description	Part #	Finish Code Suffix (i.e. EA-123456CP)						Qty
			CG	CP	CY				
1	Pacifica Handle	E-029036	CP	CP	CP			1	
2	Red/Blue Plug	E-028065						1	
3	Handle Set Screw	E-008003						1	
4	Wall Plate Assembly	EA-556100	CP	CP	CP			1	
4a	Wall Plate	E-007041*	CP	CP	CP			1	
4b	Gasket	E-060055						1	
5	Escutcheon Screw	E-075143	CP	CP	CP			2	
6	Retainer Nut	E-103020	GP	CP	YP			1	
7	Sleeve	E-217005	GP	CP	YP			1	
8	O-Ring	E-004008						1	
9	Temp. Restrictor A	E-049000						1	
10	Temp. Restrictor B	E-049001						1	
11	PB Shower Cartridge Assembly	EA-507049						1	
11a	Cartridge Body	E-214011*						1	
11b	O-Ring	E-048016*						1	
11c	Cartridge Stem	E-024112*						1	
11d	Metal Washer	E-013050*						1	
11e	Stem Plate	E-308006*						1	
11f	O-Ring	E-004118*						2	
12	Seat	E-101036						2	
13	Spring	E-005000						2	
14	Valve Body	E-044061						1	
15	Shut-Off Valve	E-507037						2	
16	Shut-Off Valve Spring	E-005012						2	
17	Pressure Balance System Assembly	EA-507041						1	
17a	PB Head	E-009094*						1	
17b	O-Ring	E-048025*						1	
17c	PB Spool	E-214015*						1	
17d	O-Ring	E-048024*						4	
17e	PB Tumbler	E-208041*						1	
18	Tub Spout Plug	E-028004						1	

\* - Part is not available individually. "Assembled" item is required.