

Rev. Change

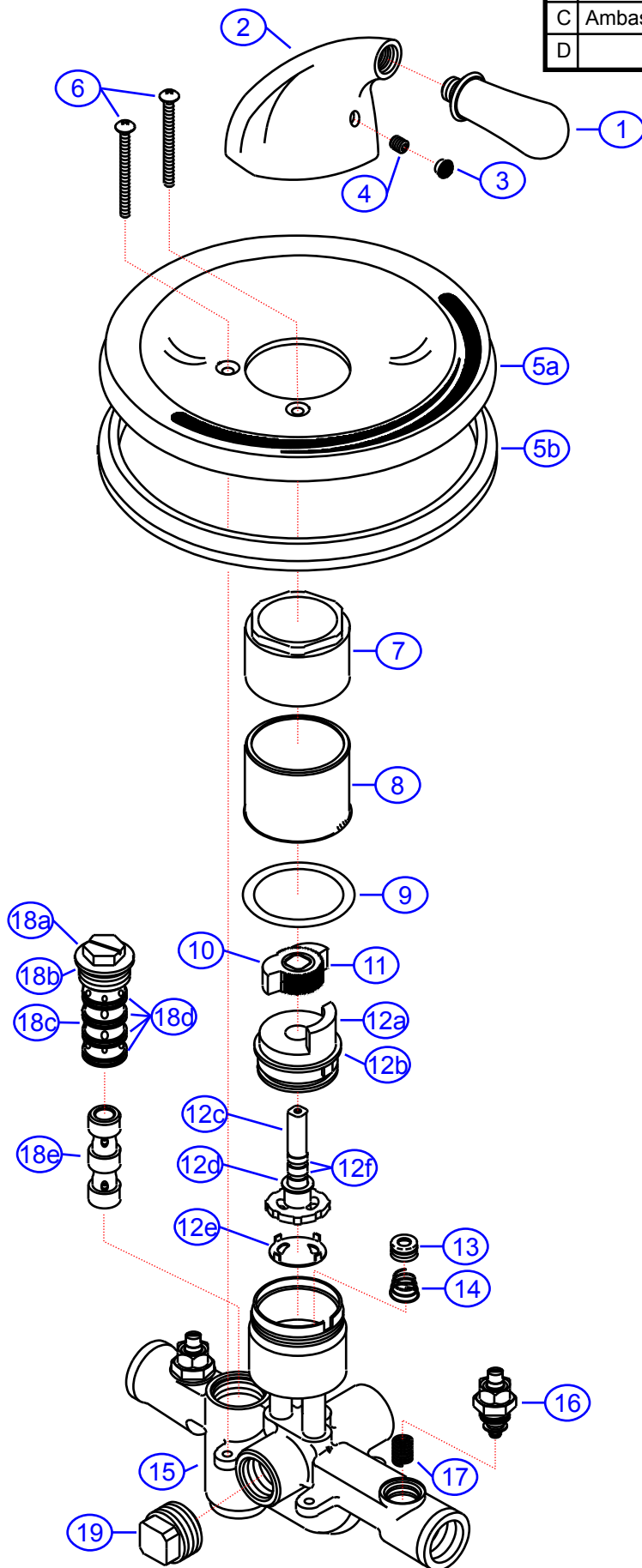
A	SHURflo branded
B	Eliminate Seat & Spring Housing
C	Ambassador branded
D	

134-1205-xx

by Associated Marketing Concepts
www.ambassadormarine.com
(800) 270-4262

Ambassador
MARINE

Rev #	C	Package Style	OEM	Model #	134-1205-xx
Vendor #	A661128xx-ASJ6	Approved/Modified		Series	Estancia
Drawn By	SS			Type	Shower Mixer (Pres. Bal.)



NOT DRAWN TO SCALE

134-1205-xx

Estancia
 Shower Mixer (Pressure Balanced)
 Rev. C



#	Description	Part #	Finish Code Suffix						Qty
			(i.e. EA-123456CP)						
			CP						
1	Estancia Handle Tip	E-552019	CP						1
2	Estancia Handle Canopy	E-018072	CP						1
3	Red/Blue Plug	E-028065							1
4	Handle Set Screw	E-008003							1
5	Wall Plate Assembly	EA-556100	CP						1
5a	Wall Plate	E-007041*	CP						1
5b	Gasket	E-060055							1
6	Escutcheon Screw	E-075143	CP						2
7	Retainer Nut	E-103020	CP						1
8	Sleeve	E-217005	CP						1
9	O-Ring	E-004008							1
10	Temp. Restrictor A	E-049000							1
11	Temp. Restrictor B	E-049001							1
12	PB Shower Cartridge Assembly	EA-507049							1
12a	Cartridge Body	E-214011*							1
12b	O-Ring	E-048016*							1
12c	Cartridge Stem	E-024112*							1
12d	Metal Washer	E-013050*							1
12e	Stem Plate	E-308006*							1
12f	O-Ring	E-004118*							2
13	Seat	E-101036							2
14	Spring	E-005000							2
15	Valve Body	E-044061							1
16	Shut-Off Valve	E-507037							2
17	Shut-Off Valve Spring	E-005012							2
18	Pressure Balance System Assembly	EA-507041							1
18a	PB Head	E-009094*							1
18b	O-Ring	E-048025*							1
18c	PB Spool	E-214015*							1
18d	O-Ring	E-048024*							4
18e	PB Tumbler	E-208041*							1
19	Tub Spout Plug	E-028004							1

* - Part is not available individually. "Assembled" item is required.
 All sub-components included within assembly (i.e. "1" includes "1a", "1b", "1c", etc.)
 Revised 1/11/2012