

REV. CHANGE

| | |
|---|--------------------------|
| A | Ambassador Branded |
| B | Refreshed |
| C | Extra-Soft (Rubber Hose) |
| | |
| | |
| | |

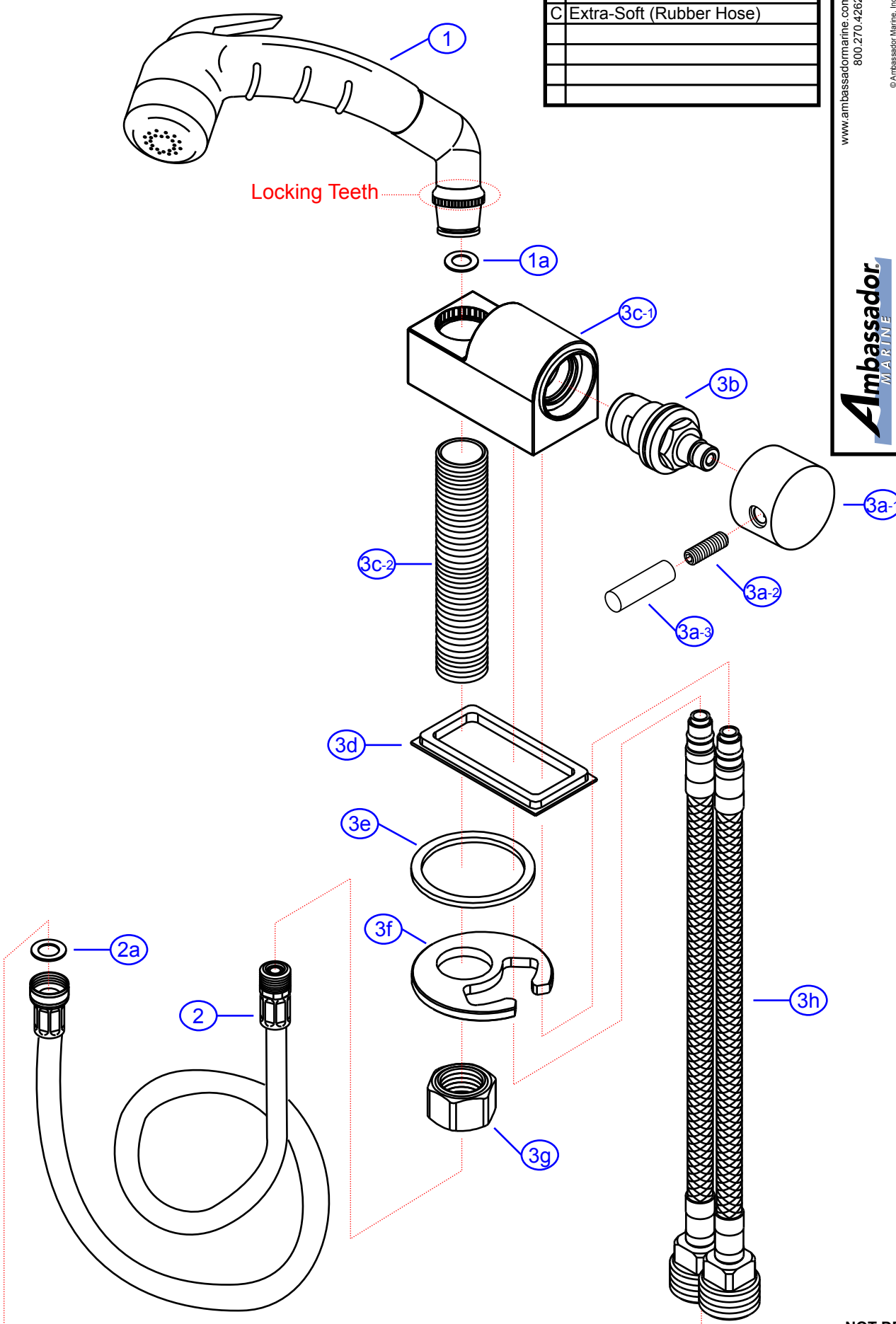
134-1720-xx

www.ambassadormarine.com
800.270.4262

© Ambassador Marine, Inc.

Ambassador
MARINE

| | | | | | |
|----------|----|-------------------|------------|---------|-------------------------------|
| Rev # | C | Package Style | OEM | Model # | 134-1720-xx |
| ERP # | | | N/A | Series | Aidack |
| Drawn By | SS | Approved/Modified | 10/27/2025 | Type | Pull-Out Deck Tap (Cold Only) |



NOT DRAWN TO SCALE

