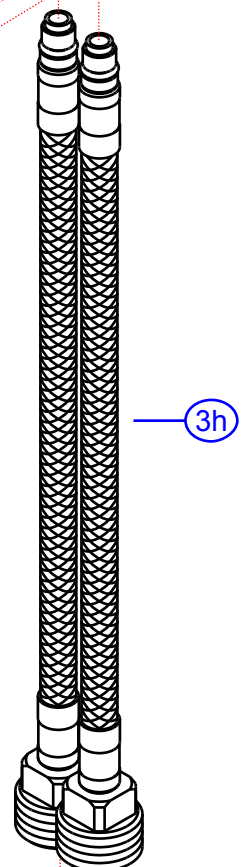
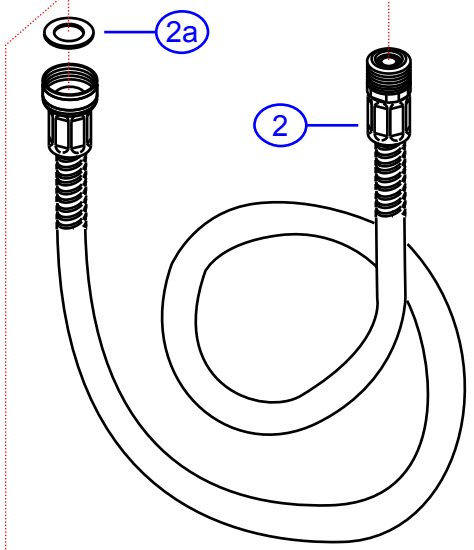
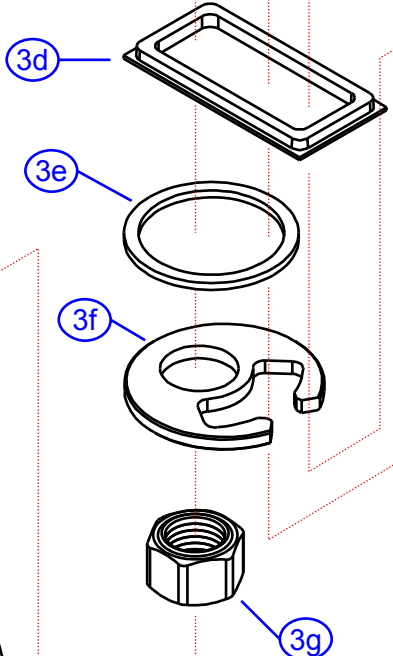
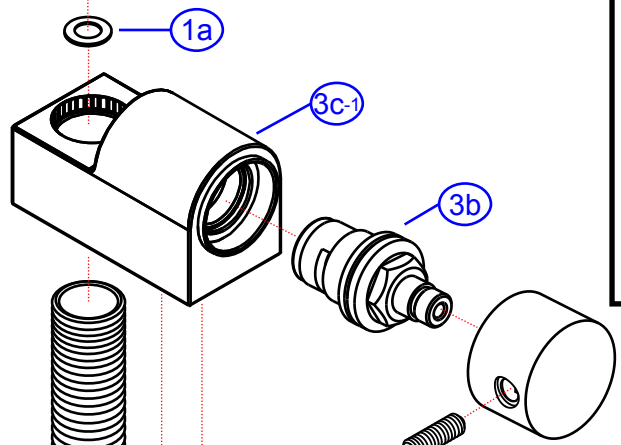
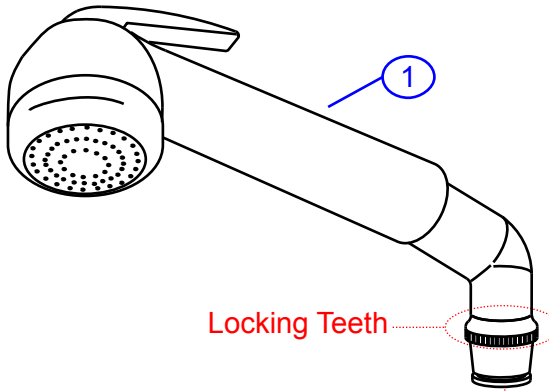


REV. CHANGE	
A	Ambassador Branded
B	Refreshed

134-1760-xx

www.ambassadormarine.com 800.270.4262		© Ambassador Marine, Inc.	
Rev #	B	Model #	134-1760-xx
ERP #	N/A	Series	Aidack
Package Style	OEM	Type	Pull-Out Deck Tap (Cold Only)
Approved/Modified	07/09/2021	Drawn By	SS

Ambassador
MARINE



NOT DRAWN TO SCALE

134-1760-xx

Aidack
 Pull-Out Deck Tap (Cold Only)
 Rev. B



(800) 270-4262

www.ambassadormarine.com

#	Description	Qty	Part #	Finish Code Suffix (i.e. EA-123456CP)				Material
				CK	CP	CW		
1	Large Sprayer (with locking teeth) Assembly see "Individual Sprayer" for complete sprayer breakdown	1	138-0105- __	KP	CP	WH	-	
1a	Washer	1	L-SH1023				NBR	
2	6' Stainless Steel Hose Assembly	1	130-0017-__	SS	SS	SS	-	
2a	Washer	1	L-024132				NBR	
3	Aidack- Pull-Out Deck Tap Body Assembly	1	LA-JS1A0624	CP	CP	CP	-	
3a	Aidack- Handle Assembly	1	LA-038659	CP	CP	CP	-	
3a-1	Aidack- Handle Canopy	1	L-038614*	CP	CP	CP	ZnA14	
3a-2	Set Screw	1	L-020423				SUS304	
3a-3	Aidack- Handle Tip	1	L-034131	CP	CP	CP	ZnA14	
3b	Ceramic Disk Cartridge	1	L-531093C				-	
3c	Body Assembly	1	LA-103330	CP	CP	CP	-	
3c-1	Body	1	L-107138N*	CP	CP	CP	HBi60	
3c-2	Mounting Shaft	1	L-071106	CP	CP	CP	HPb59	
3d	Gasket	1	L-024479				NBR	
3e	Washer	1	L-024456				NBR	
3f	Horseshoe Washer (Metal)	1	L-024478				HPb59	
3g	Mounting Nut	1	L-058676				HPb59	
3h	Connector Hose (Gray)	1	L-300232N				-	
	Connector Hose (Blue)	1	L-300232NC				-	

* - Part is not available individually. "Assembled" item is required.

All sub-components included within assembly (i.e. "1" includes "1a", "1b", "1c", etc.)

Revised: 7/10/2021