

REV. CHANGE	
A	SHURflo Branded
B	Remove Cup Bottom Ring
C	Ambassador Branded
D	Add Bag Rivet Holes
E	Add Cup Bottom Ring
F	Refreshed

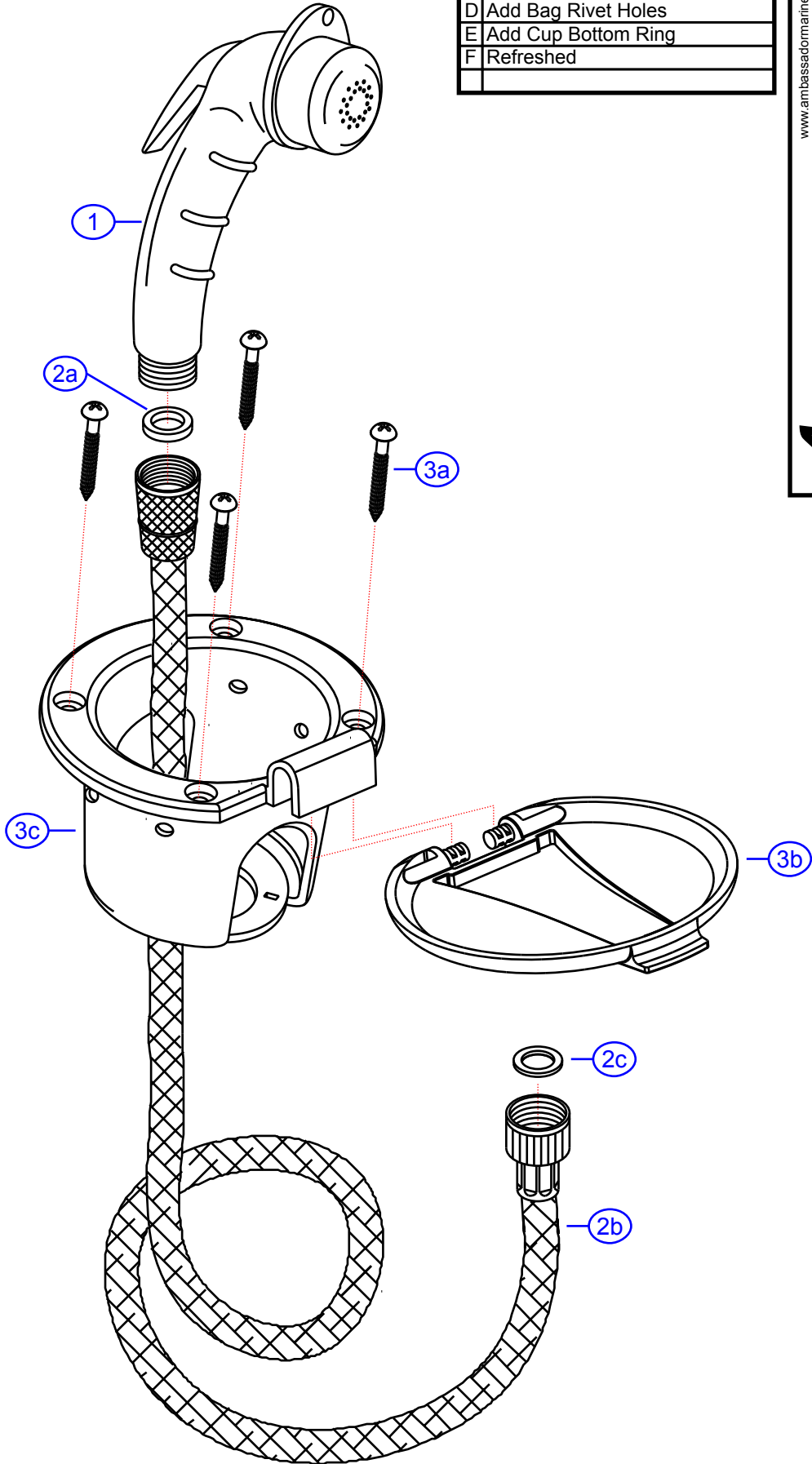
136-0000-xx

www.ambassadormarine.com
800.270.4262

© Ambassador Marine, Inc.

Ambassador
MARINE

Rev #	F	Package Style	OEM	Model #	136-0000-xx
ERP #	N/A	Approved/Modified	04/28/2020	Series	Universal
Drawn By	SS	Type	Recessed Shower		



NOT DRAWN TO SCALE

