

REV. CHANGE

A	SHURflo Branded
B	Ambassador Branded
C	Add Bag Rivet Holes
D	Add Cup Bottom Ring
E	Refreshed

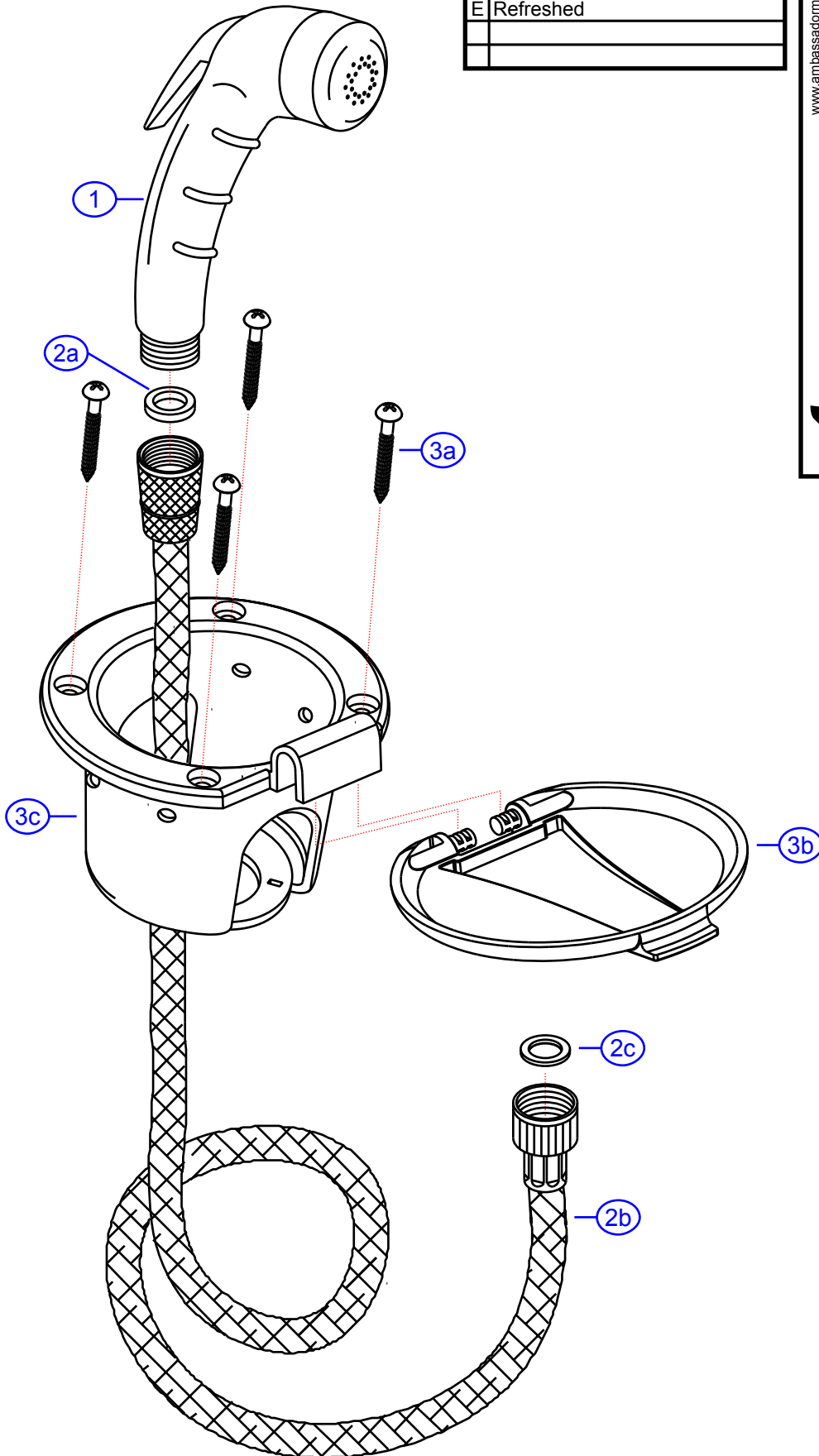
136-0006-xx

www.ambassadormarine.com  
800.270.4262

© Ambassador Marine, Inc.

**Ambassador**  
MARINE

Rev #	E	Package Style	OEM	Model #	136-0006-xx
ERP #	N/A	Approved/Modified	07/21/2020	Series	Universal
Drawn By	SS	Type	Recessed Shower		



NOT DRAWN TO SCALE

