

REV. CHANGE	
A	Ambassador Branded

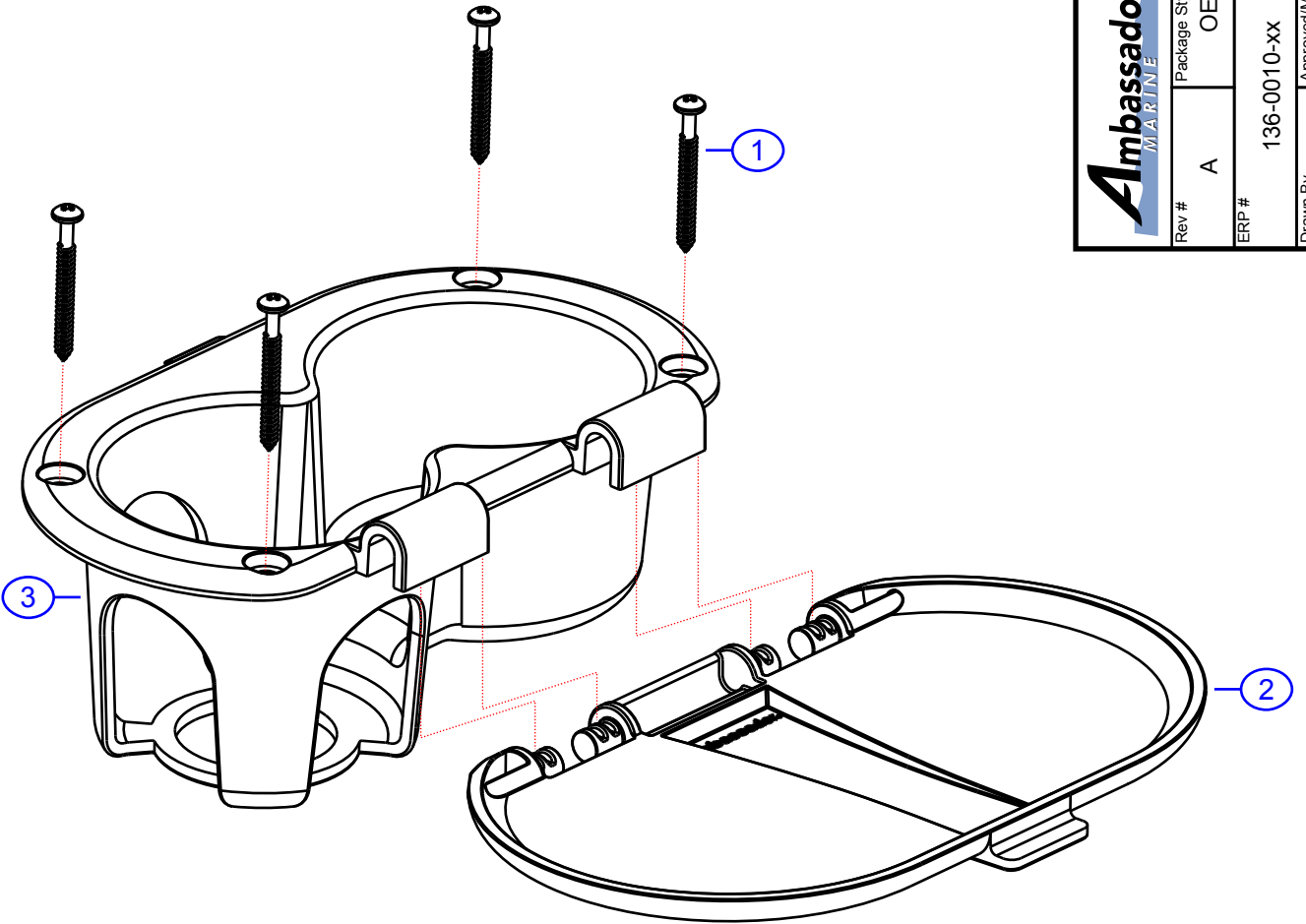
**136-0010-xx**

www.ambassadormarine.com  
800.270.4262

© Ambassador Marine, Inc.

**Ambassador**  
MARINE

Rev #	A	Package Style	OEM	Model #	<b>136-0010-xx</b>
ERP #	136-0010-xx	Approved/Modified	11/03/2021	Series	Universal
Drawn By	SS	Type	Transom Cup & Lid (All Plastic)		



NOT DRAWN TO SCALE

