

Rev. Change

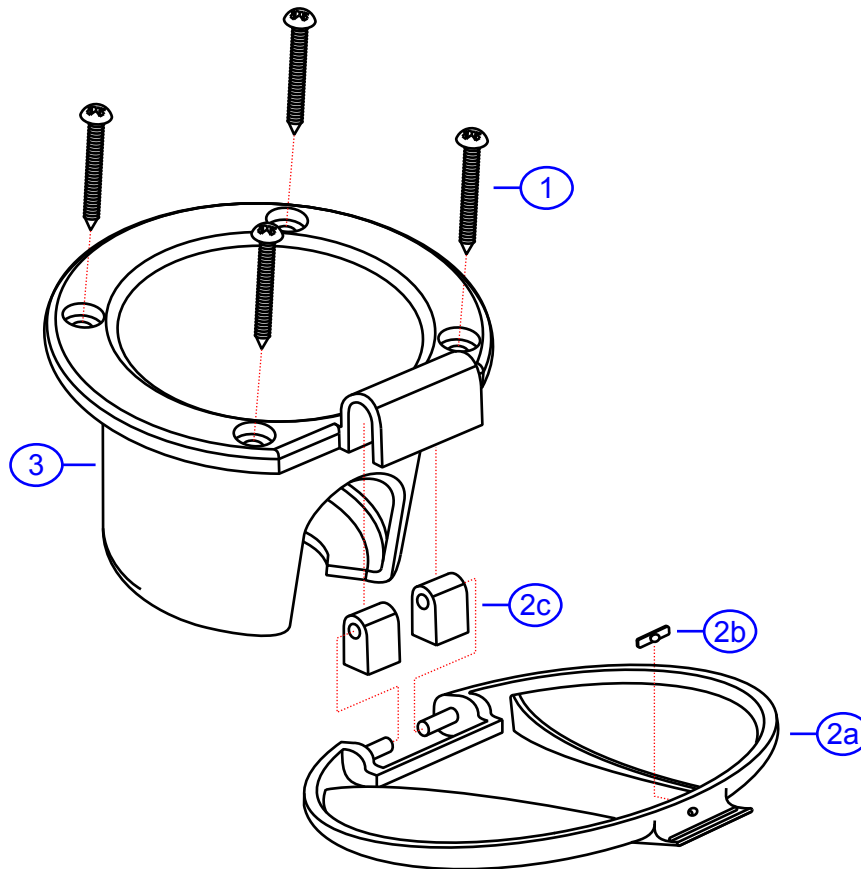
A	Ambassador branded
B	
C	
D	

**136-0015-xx**

by Associated Marketing Concepts  
www.ambassadormarine.com  
(800) 270-4262

**Ambassador**  
MARINE

Rev #	A	Package Style	OEM	Model #	<b>136-0015-xx</b>
Vendor #				Series	Universal
Drawn By	SS		N/A	Type	Recessed Cup & SS Lid
			Approved/Modified		04/29/12



NOT DRAWN TO SCALE

