

REV. CHANGE

A	Ambassador Branded
B	Add Bag Rivet Holes
C	Add Cup Bottom Ring
D	Refreshed

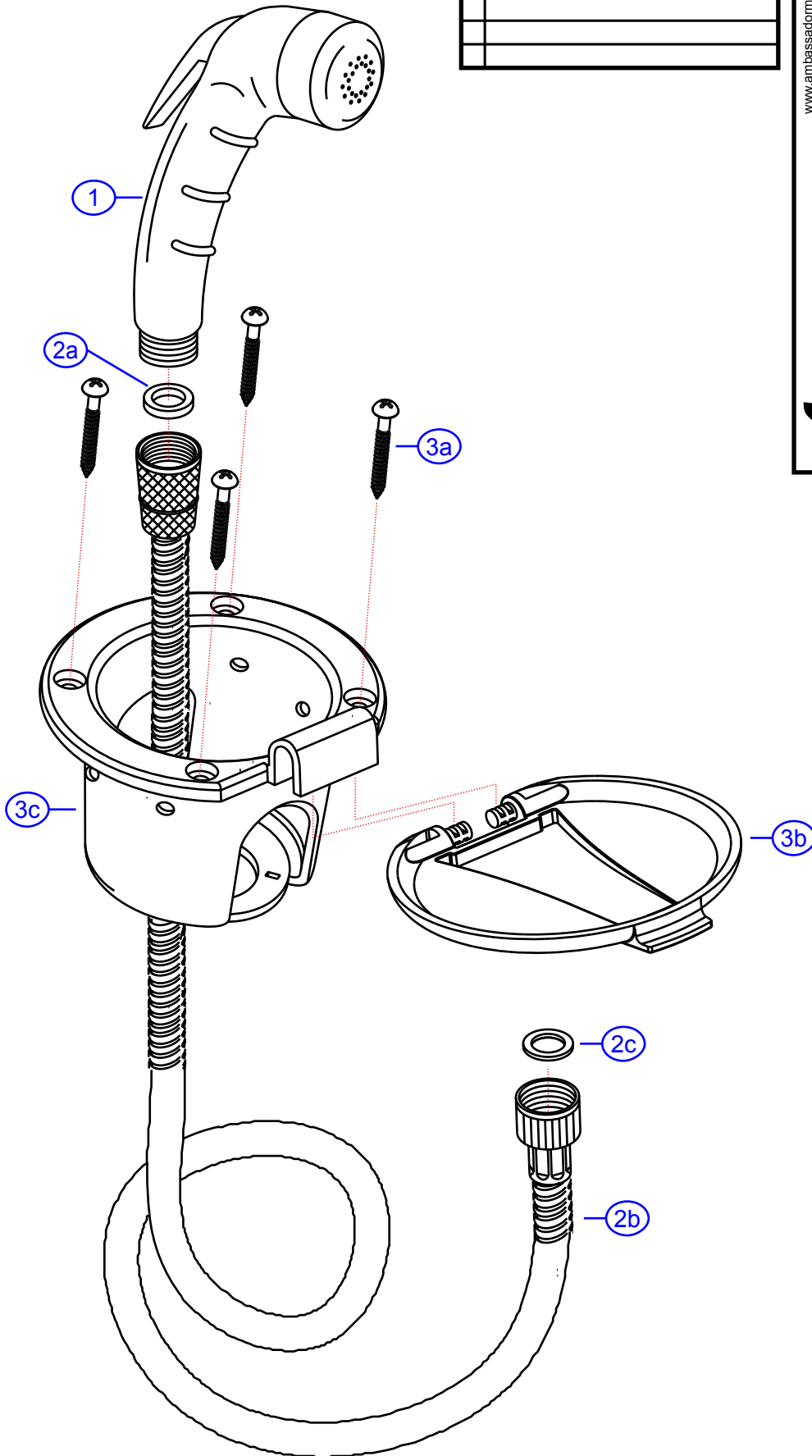
136-0018-xx

www.ambassadormarine.com
800.270.4262

© Ambassador Marine, Inc.

Ambassador
MARINE

Rev #	D	Package Style	OEM	Model #	136-0018-xx
ERP #	N/A	Approved/Modified	07/21/2020	Series	Universal
Drawn By	SS	Type	Recessed Shower		



NOT DRAWN TO SCALE

