

Rev. Change

A	Ambassador branded
B	Spring-Clip Latch
C	
D	

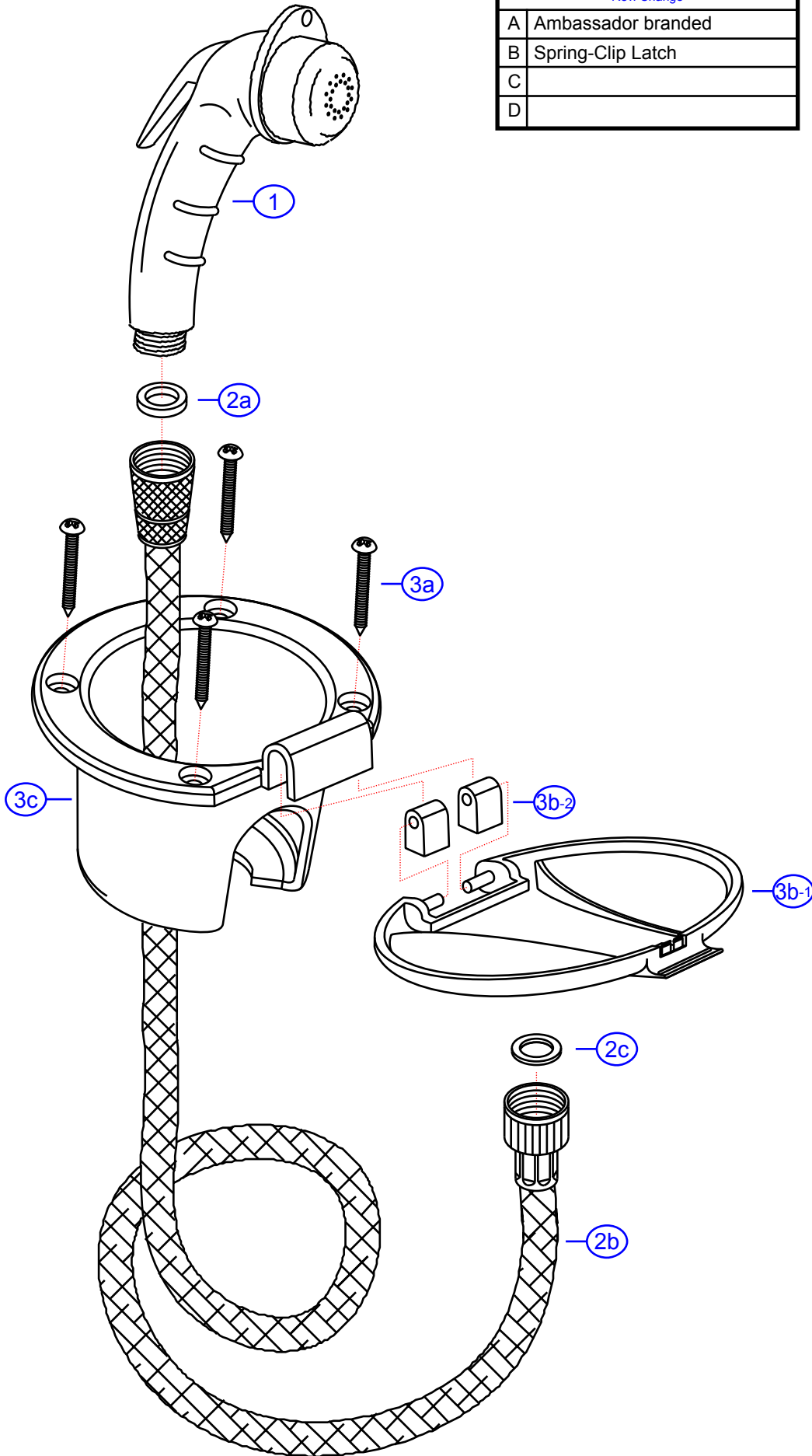
136-0040-xx

by Associated Marketing Concepts
www.ambassadormarine.com
(800) 270-4262

Ambassador

MARINE

Rev #	B	Package Style	OEM	Model #	136-0040-xx
Vendor #				Series	Universal
Drawn By	SS		N/A	Type	Recessed Shower
			Approved/Modified		09/17/12



NOT DRAWN TO SCALE

