

REV. CHANGE

A	Ambassador Branded
B	Spring-Clip Latch
C	Add Bag Rivet Holes
D	Add Cup Bottom Ring
E	Refreshed
F	Gasket Lid / Cup Lip

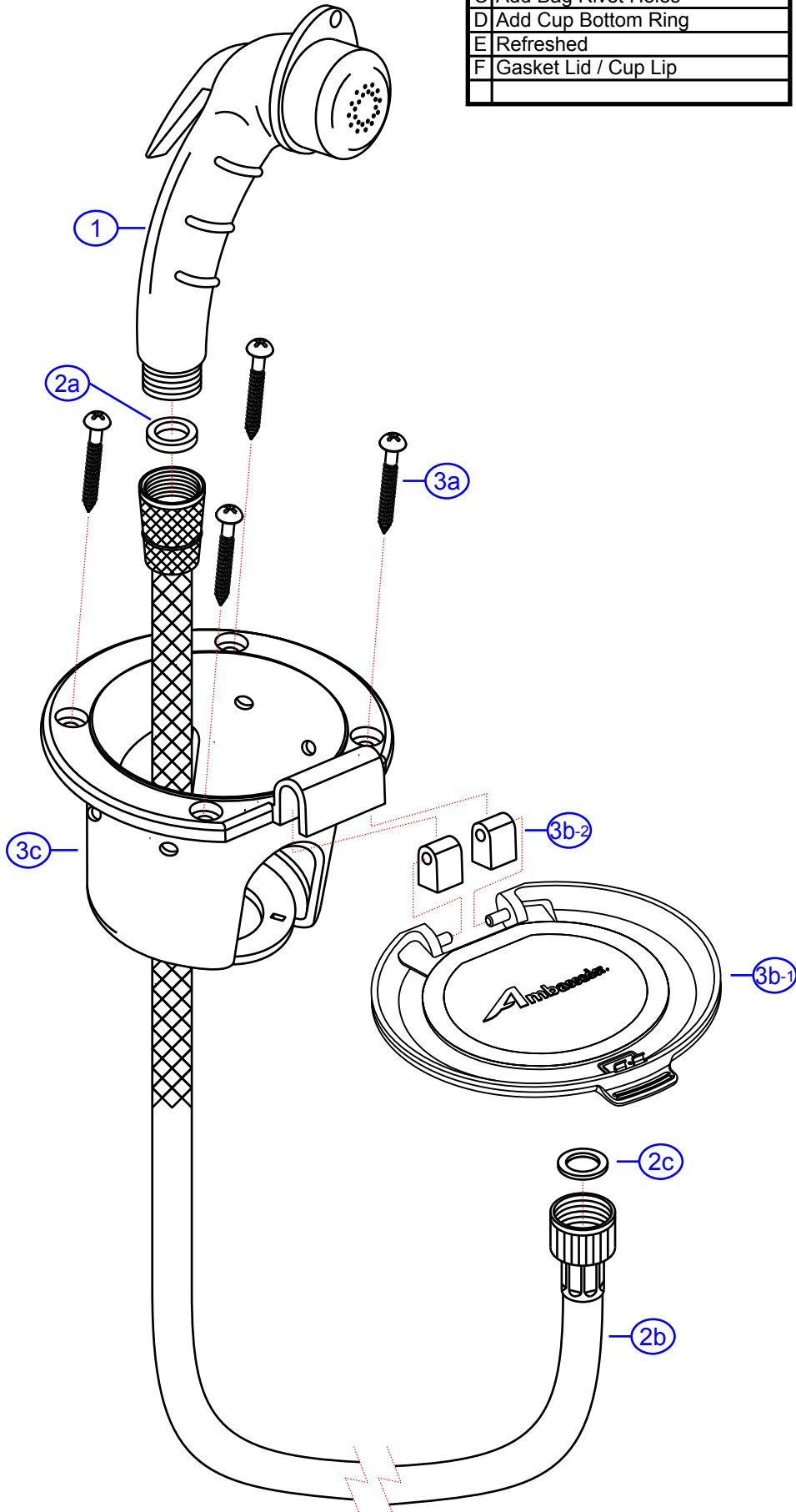
136-0040-xx

www.ambassadormarine.com
800.270.4262

© Ambassador Marine, Inc.

Ambassador
MARINE

Rev #	F	Package Style	OEM	Model #	136-0040-xx
ERP #			N/A	Series	Universal
Drawn By	SS	Approved/Modified	01/29/2024	Type	Recessed Shower



NOT DRAWN TO SCALE

